



**DOBEST BRIGHT CO.,LIMITED**

中山好倍儿照明有限公司  
多贝尔电子科技有限公司



## LED Linear Lighting System Catalog

**DOBEST BRIGHT CO.,LIMITED**

中山好倍儿照明有限公司  
多贝尔电子科技有限公司

**Web:** [www.tracklinearlight.com](http://www.tracklinearlight.com)

**Factory Address 1:** 3rd Floor, No. 26, Pingbei 1st Road, Nanping Science and Technology Industrial Park, Xiangzhou District, Zhuhai City, Guangdong, P.R. China

**Factory Address 2:** 2nd Floor, 3rd Floor, No. 15, 1st Street, Hongye Road, Caoer, Guzhen Town, Zhongshan City, Guangdong Province

**Email:** [candy@dobestbright.com](mailto:candy@dobestbright.com) / [sales@dobestbright.com](mailto:sales@dobestbright.com)

**Tel/Fax:** +86-0756-3338786

**Whatsapp:** +86-18902868159





## ABOUT **DOBEST**

DOBEST management has been working in the LED Lighting industry since 2008 and has had its oversea department since 2012. It is a professional manufacturing enterprise that focuses on the research and development and production of lighting fixtures.

DOBEST based in Zhuhai and Zhongshan Guangdong Province, and there are 2000 m<sup>2</sup> production line and warehouse in ZhongShan and a 500 m<sup>2</sup> show room and warehouse in Zhuhai.

[www.tracklinearlight.com](http://www.tracklinearlight.com)

DOBEST is a professional manufacturer with R&D and production in one, specializing in Led magnetic track lights, led Linear lights and LED Aluminum Profile, led penal lights, etc. Thanks to our inherited commitments to high QA/QC procedures, our operation process is accredited by ISO9001-2015. All of our product is with ETL, CE(EMC&LVD), RoHS, and SAA certifications.

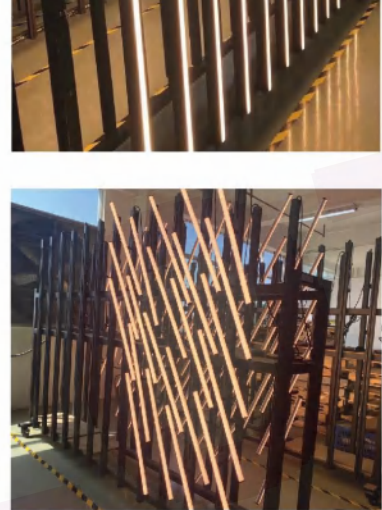
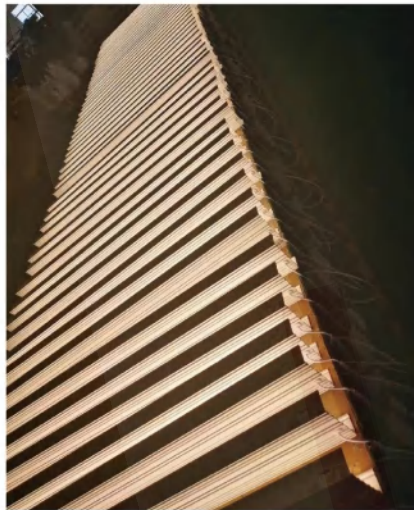
DOBEST has a professional optical design, appearance design, thermal design, structure design, and electronic design engineers team. Our marketing team will collect your requirements, timely feedback to the relevant departments to solve your problems, provide quality and fast after-sales service.

[www.tracklinearlight.com](http://www.tracklinearlight.com)

Brighten your life



# FACTORY



Dobest extrusion workshop



Injection Workshop



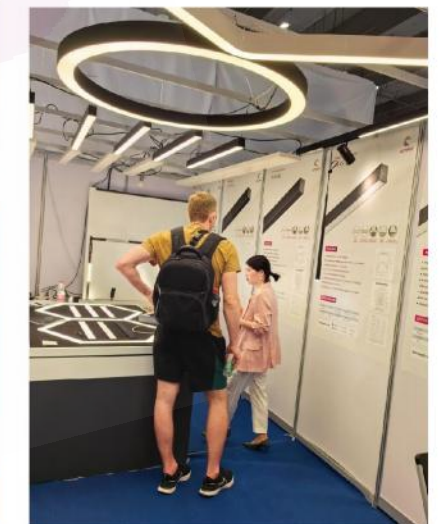
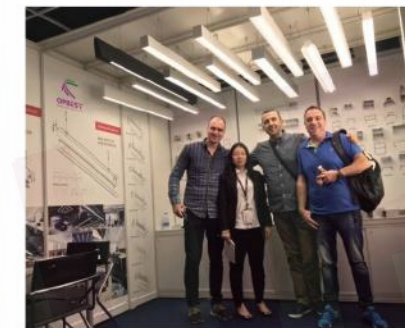
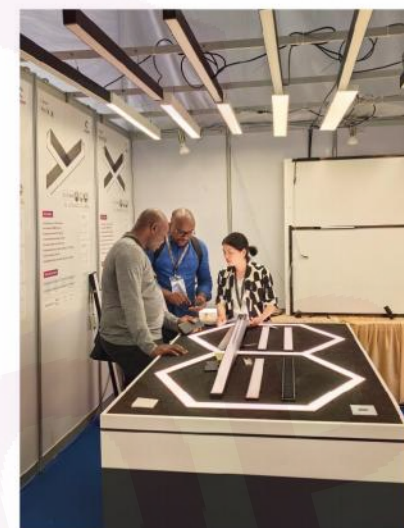
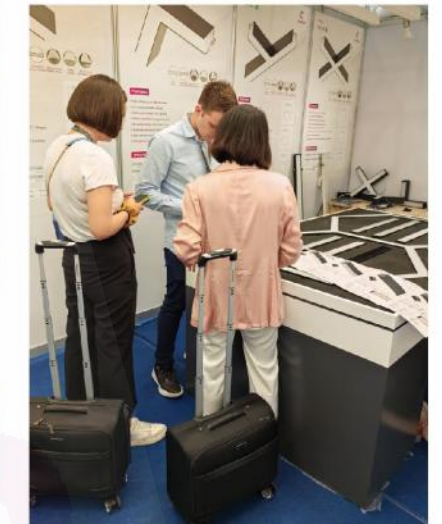
Assembly Line



Integrating Sphere Test



# CERTIFICATES AND EXHIBITIONS



Brighten your life

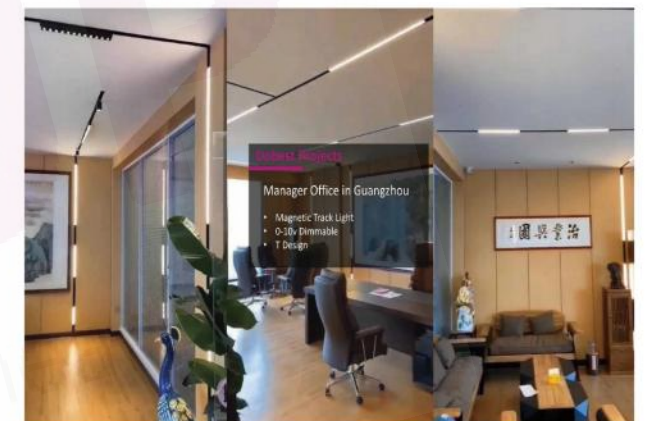
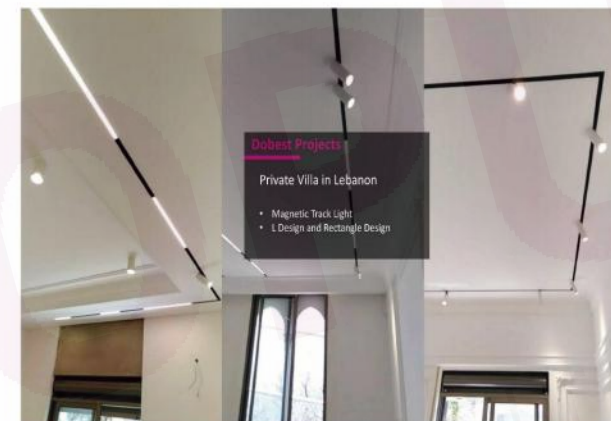
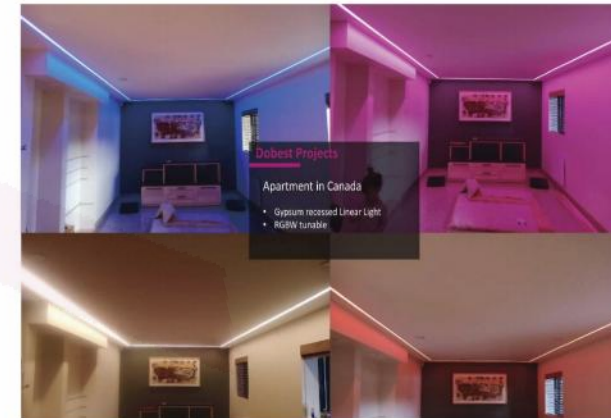
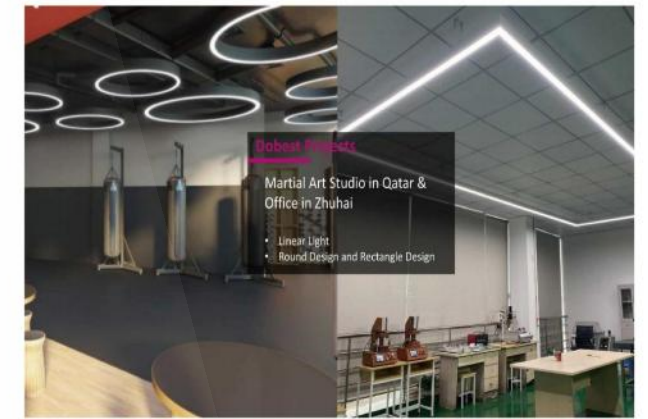
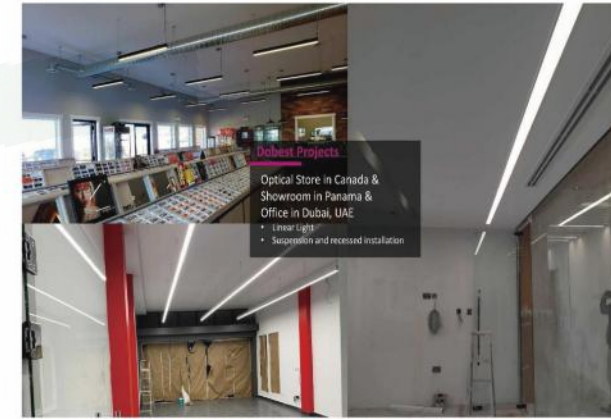


# DOBEST BRIGHT PROJECT

- Light Planning
- Light Calculation (DIALUX)
- Photometric Simulation
- Customizing Light Solutions
- Comparison Studies
- Product Sourcing

**Dobest Engineering Services**

People make a successful organization. Dobest has a team of motivated light professionals to offer a multitude of light related services to find the best result for your projects



Dobest works together with clients to create fabulous customized lighting. Strong supply chain allow us to offer customized lighting service with reasonable price, satisfied quality. Noted: Only photos that the client has agreed to make public will be displayed.

Brighten your life, warm your heart

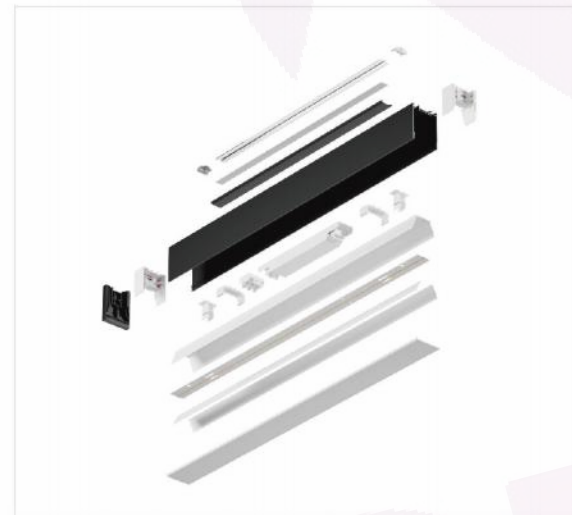


# PMMA NORMAL SERIES



**Colour:**

- Sand black
- Sand white
- Wood grain
- Matte black
- Matte white
- Silver



Exploded View



PMMA Diffuser



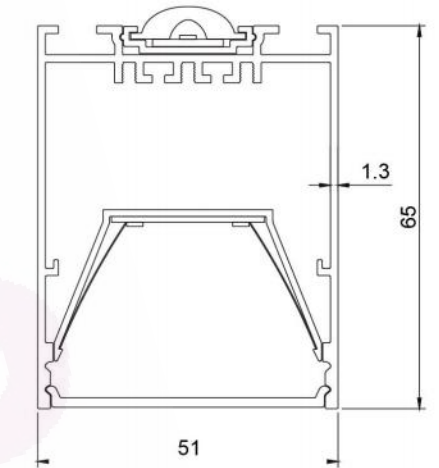
Montage

## FEATURES

- High efficacy up to 100-130lm/w.
- UV-resistance PMMA diffuser.
- Indirect and Direct LED Lighting.
- Profile detachable design structure.
- No screw design with the end cap.
- Seamless splicing of various shapes(X;L;T;Y Shape).
- DALI dimming is available.
- Emergency backup and sensor optional are also available.

## DIMENSIONS

Length	Width	Height
4ft/47"/1200mm	2"/51mm	2.56"/65mm
5ft/59"/1500mm	2"/51mm	2.56"/65mm
6ft/71"/1800mm	2"/51mm	2.56"/65mm
8ft/94"/2400mm	2"/51mm	2.56"/65mm



# DIRECT LED LINEAR



## SPECIFICATION

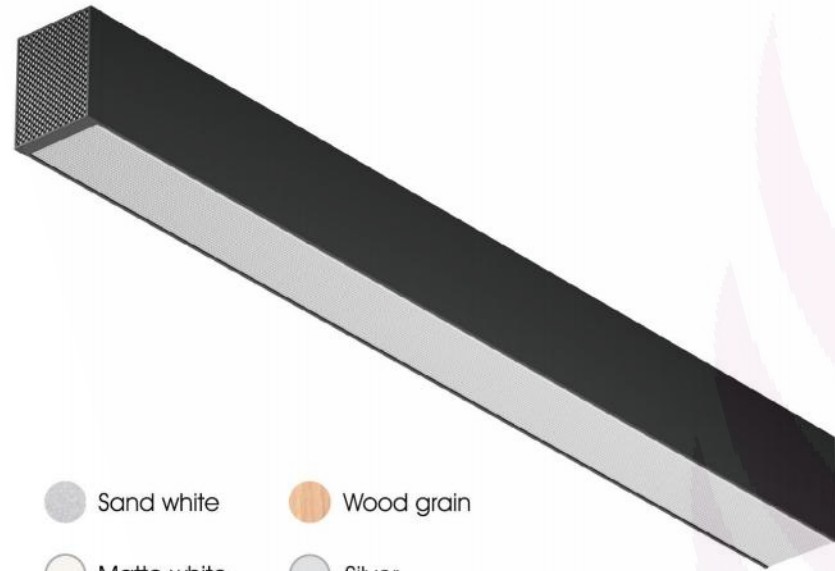
Model	Power	Efficacy	CCT	Input Voltage
DB-OP5165-xx	25-30W/M	100-130 lm/w	3000K/4000K/5000K	AC180-264V /110-277V
Size (L*W*H)	Beam Angle	Diffuser Material	End Cap Material	Body Material
W51*H65mm	104.1°	PMMA	PC	1.3mm 6063 Aluminum





# PMMA PRISMATIC/RHOMBIC SERIES

# DIRECT LED LINEAR



## FEATURES

- High efficacy up to 80-110 lm/w
- UV-resistance PMMA prismatic diffuser.
- Indirect and Direct LED Lighting.
- Profile detachable design structure.
- No screw design with end cap.
- Seamless splicing of various shapes(X;L;T;Y Shape).
- Dali dimming is available.
- Emergency back up and sensor optional also available.

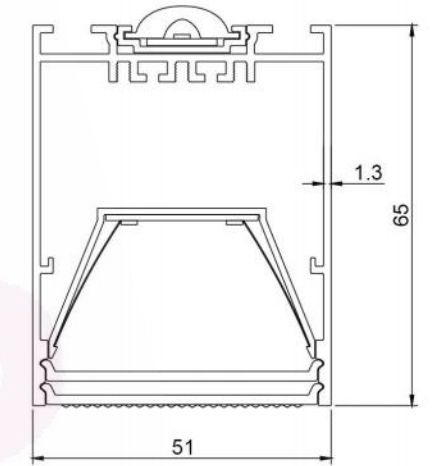


### Colour:

- Sand black
- Sand white
- Wood grain
- Matte black
- Matte white
- Silver

## DIMENSIONS

Length	Width	Height
4ft/47"/1200mm	2"/51mm	2.56"/65mm
5ft/59"/1500mm	2"/51mm	2.56"/65mm
6ft/71"/1800mm	2"/51mm	2.56"/65mm
8ft/94"/2400mm	2"/51mm	2.56"/65mm

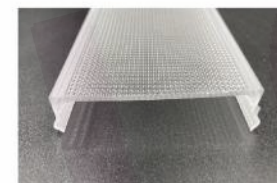


## SPECIFICATION

Model	Power	Efficacy	CCT	Input Voltage
DB-OP5165-xx	25-30W/M	80-110 lm/w	3000K/4000K/5000K	AC180-264V /110-277V
Size (L*W*H)	Beam Angle	Diffuser Material	End Cap Material	Body Material
W51*H65mm	96.6°	PMMA	PC	1.3mm 6063 Aluminum



Exploded View



Mircoprismatic PMMA Diffuser



Montage

Brighten your life



# PMMA POLARIZING SERIES

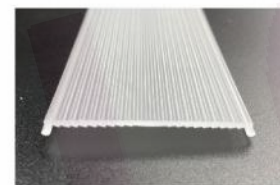


**Colour:**

- Sand black
- Sand white
- Wood grain
- Matte black
- Matte white
- Silver



Exploded View



Polarizing PMMA Diffuser



Montage

# DIRECT LED LINEAR

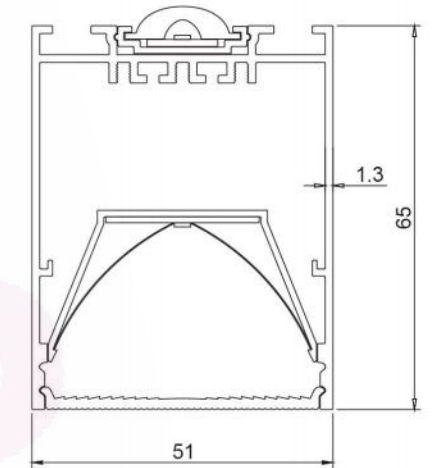


## FEATURES

- High efficacy up to 110-140lm/w
- UV-resistance PMMA polarizing diffuser with UGR<19.
- Indirect and Direct LED Lighting.
- Profile detachable design structure.
- No screw design with end cap.
- Seamless splicing of various shapes(X;L;T;Y Shape).
- Dali dimming are available.
- Emergency back up and sensor optional also available.

## DIMENSIONS

Length	Width	Height
4ft/47"/1200mm	2"/51mm	2.56"/65mm
5ft/59"/1500mm	2"/51mm	2.56"/65mm
6ft/71"/1800mm	2"/51mm	2.56"/65mm
8ft/94"/2400mm	2"/51mm	2.56"/65mm



## SPECIFICATION

Model	Power	Efficacy	CCT	Input Voltage
DB-OP5165-xx	25-30W/M	110-140 lm/w	3000K/4000K/5000K	AC180-264V /110-277V
Size (L*W*H)	Beam Angle	Diffuser Material	End Cap Material	Body Material
W51*H65mm	112.1°	PMMA	PC	1.3mm 6063 Aluminum



Brighten your life



# PMMA FRESNEL SERIES

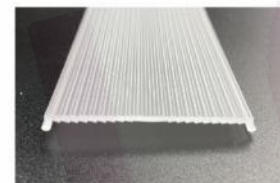


**Colour:**

- Sand black
- Sand white
- Wood grain
- Matte black
- Matte white
- Silver



Exploded View



Fresnel Lens 60°  
PMMA Diffuser



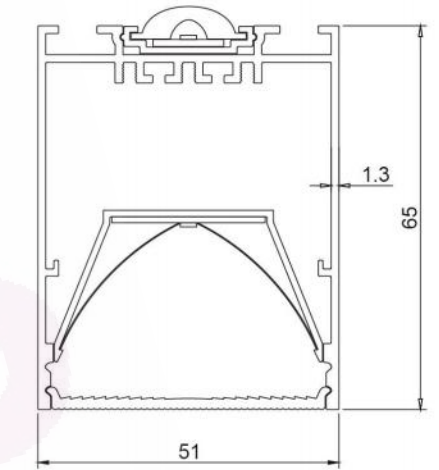
Montage

## FEATURES

- High efficacy up to 100-130lm/w
- UV-resistance PMMA fresnel 60° diffuser with UGR<19.
- Indirect and Direct LED Lighting.
- Profile detachable design structure.
- No screw design with end cap.
- Seamless splicing of various shapes(X;L;T;Y Shape).
- Dali dimming are available.
- Emergency back up and sensor optional also available.

## DIMENSIONS

Length	Width	Height
4ft/47"/1200mm	2"/51mm	2.56"/65mm
5ft/59"/1500mm	2"/51mm	2.56"/65mm
6ft/71"/1800mm	2"/51mm	2.56"/65mm
8ft/94"/2400mm	2"/51mm	2.56"/65mm



# DIRECT LED LINEAR



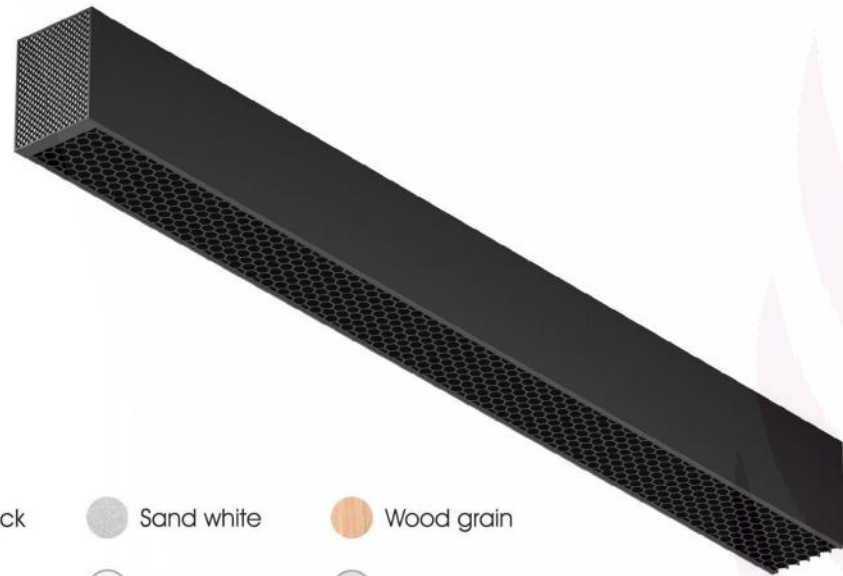
## SPECIFICATION

Model	Power	Efficacy	CCT	Input Voltage
DB-OP5165-xx	25-30W/M	100-130 lm/w	3000K/4000K/5000K	AC180-264V /110-277V
Size (L*W*H)	Beam Angle	Diffuser Material	End Cap Material	Body Material
W51*H65mm	76.6°	PMMA	PC	1.3mm 6063 Aluminum





# CELLULAR NETWORK SERIES

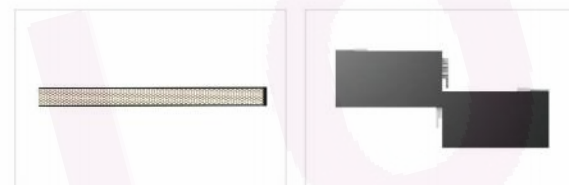


**Colour:**

- Sand black
- Sand white
- Wood grain
- Matte black
- Matte white
- Silver



Exploded View



Honeycomb Covers Diffuser

Montage

# DIRECT LED LINEAR

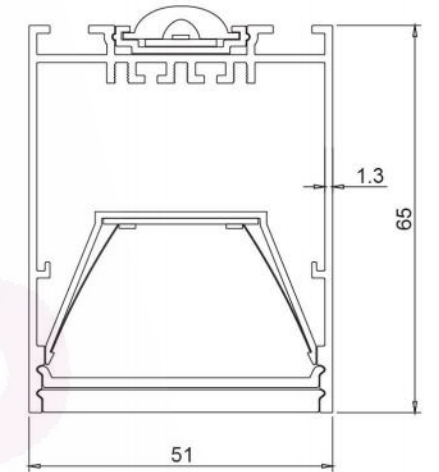


## FEATURES

- Anti-Glare design with UGR <19.
- Indirect and Direct LED Lighting.
- Profile detachable design structure.
- No screw design with end cap.
- Seamless splicing of various shapes(X;L;T;Y Shape).
- Dali dimming are available.
- Emergency back up and sensor optional also available.

## DIMENSIONS

Length	Width	Height
4ft/47"/1200mm	2"/51mm	2.56"/65mm
5ft/59"/1500mm	2"/51mm	2.56"/65mm
6ft/71"/1800mm	2"/51mm	2.56"/65mm
8ft/94"/2400mm	2"/51mm	2.56"/65mm



## SPECIFICATION

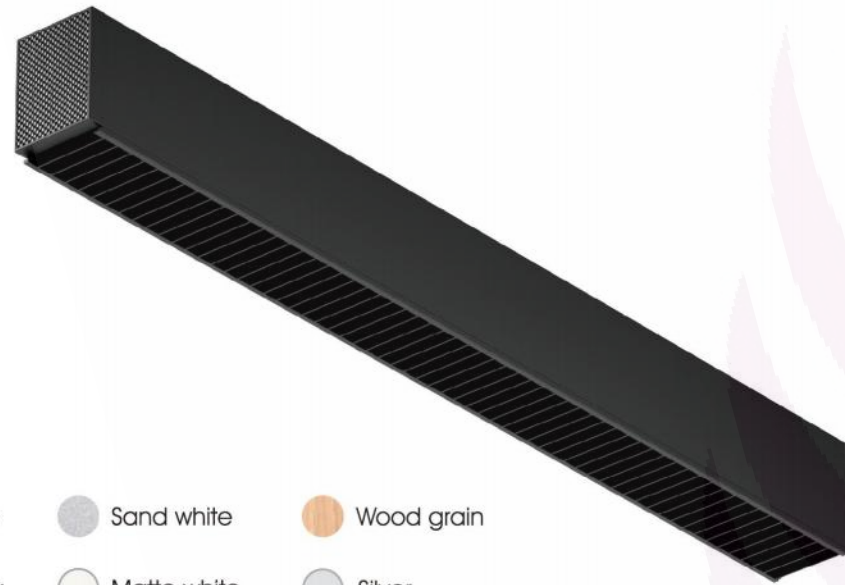
Model	Power	Efficacy	CCT	Input Voltage
DB-OP5165-xx	25-30W/M	40-50 lm/w	3000K/4000K/5000K	AC180-264V /110-277V
Size (L*W*H)	Beam Angle	Diffuser Material	End Cap Material	Body Material
W51*H65mm	66.1°	PMMA	PC	1.3mm 6063 Aluminum



Brighten your life



# GRILLE SERIES

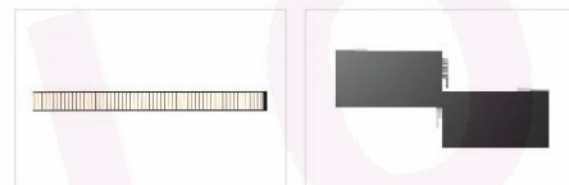


**Colour:**

- Sand black
- Sand white
- Wood grain
- Matte black
- Matte white
- Silver



Exploded View



Grille Diffuser

Montage

# DIRECT LED LINEAR

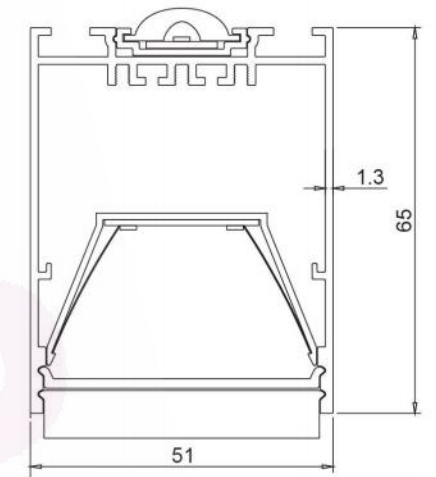


## FEATURES

- Anti-Glare design with UGR <19.
- Indirect and Direct LED Lighting.
- Profile detachable design structure.
- No screw design with end cap.
- Seamless splicing of various shapes(X;L;T;Y Shape).
- Dali dimming are available.
- Emergency back up and sensor optional also available.

## DIMENSIONS

Length	Width	Height
4ft/47"/1200mm	2"/51mm	2.56"/65mm
5ft/59"/1500mm	2"/51mm	2.56"/65mm
6ft/71"/1800mm	2"/51mm	2.56"/65mm
8ft/94"/2400mm	2"/51mm	2.56"/65mm



## SPECIFICATION

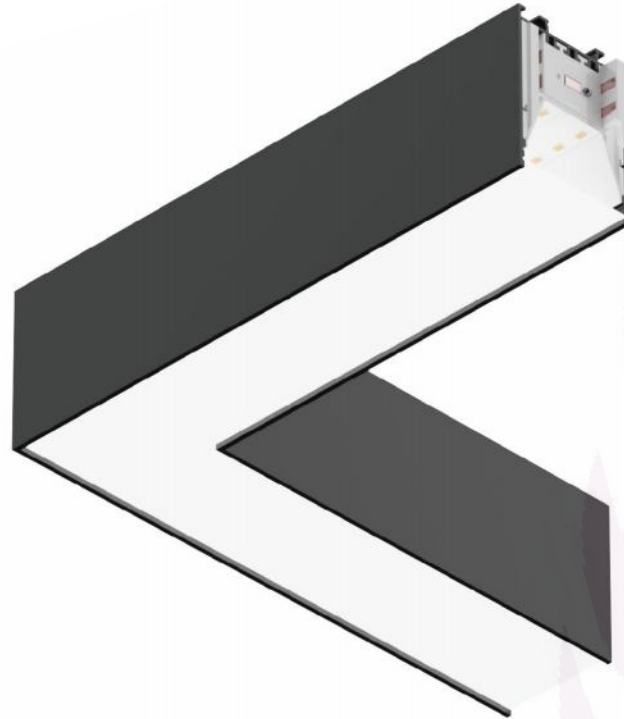
Model	Power	Efficacy	CCT	Input Voltage
DB-OP5165-xx	25-30W/M	50-60 lm/w	3000K/4000K/5000K	AC180-264V /110-277V
Size (L*W*H)	Beam Angle	Diffuser Material	End Cap Material	Body Material
W51*H65mm	68.9°	PMMA	PC	1.3mm 6063 Aluminum



Brighten your life

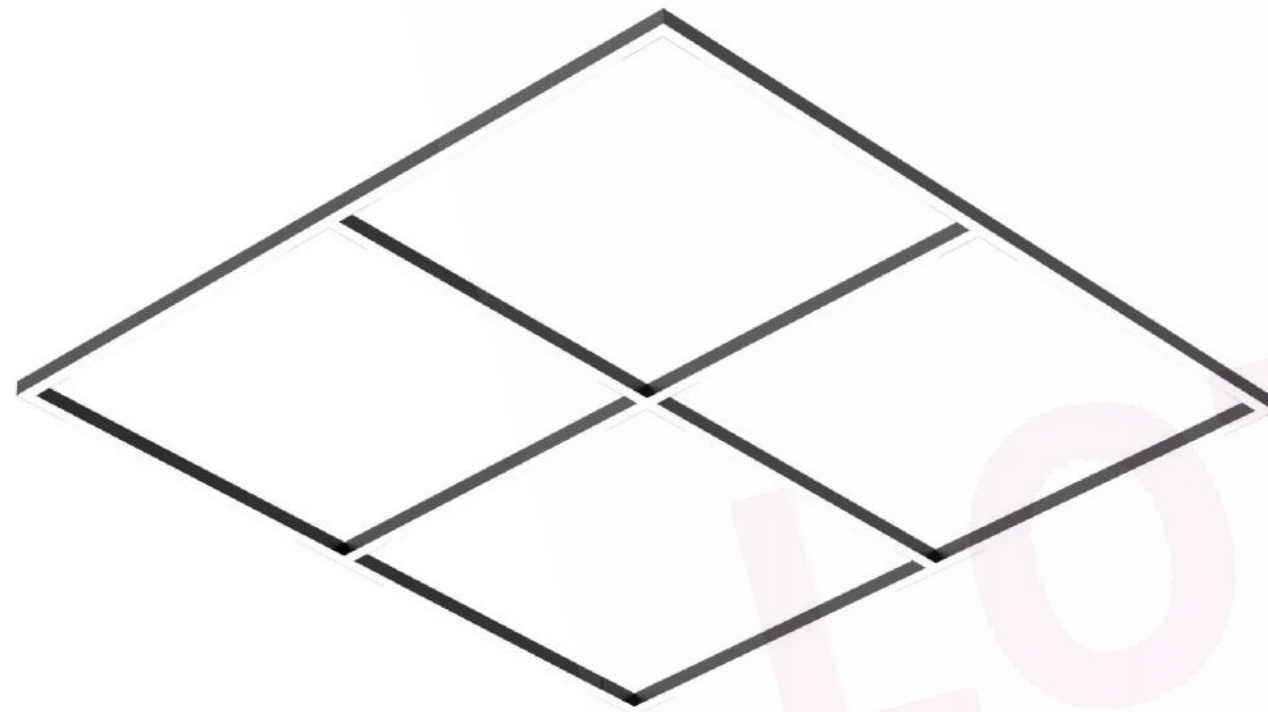


# PMMA L-SHAPE



**Colour:**

- Sand black
- Sand white
- Wood grain
- Matte black
- Matte white
- Silver



# DIRECT LED LINEAR

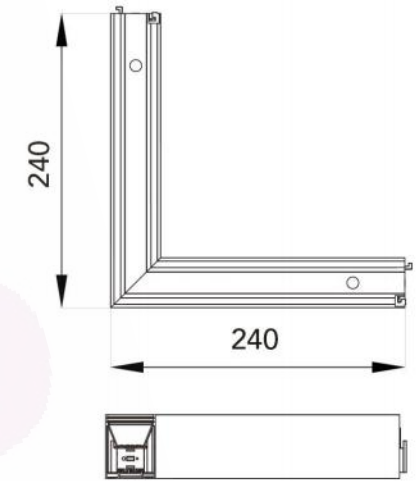


## FEATURES

- High efficacy up to 100-130 lm/w.
- UV-resistance PMMA diffuser.
- Indirect and Direct LED Lighting.
- Profile detachable design structure.
- No screw design with the end cap.
- Seamless splicing of various shapes(X;L;T;Y Shape).
- DALI dimming is available.
- Emergency backup and sensor optional is available.

## DIMENSIONS

Length	Width	Height
0.79ft*0.79ft/9.45"*9.45"/240*240mm	2"/51mm	2.56"/65mm



## SPECIFICATION

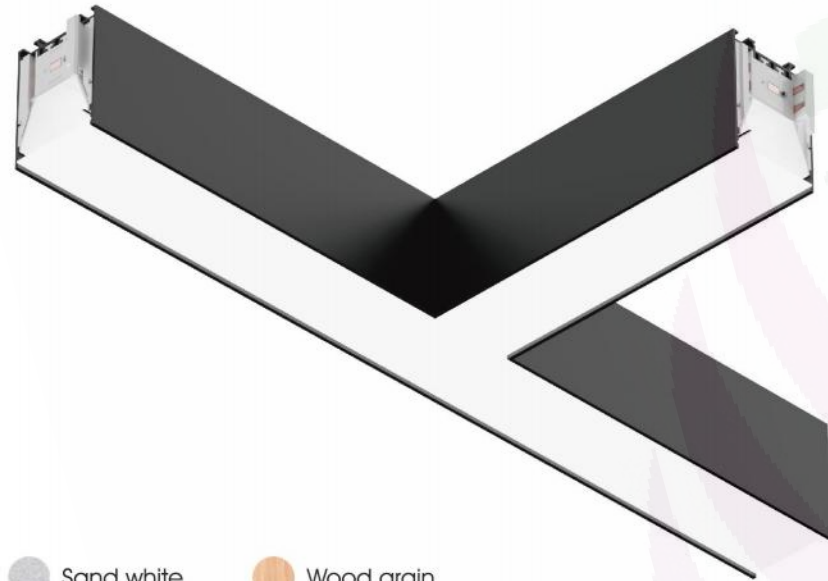
Power	Efficacy	CCT	Input Voltage
25-30W/M	100-130 lm/w	3000K/4000K/5000K	AC180-264V /110-277V
Size (L*W*H)	Diffuser Material	End Cap Material	Body Material
W51*H65mm	PMMA	PC	1.3mm 6063 Aluminum



Brighten your life

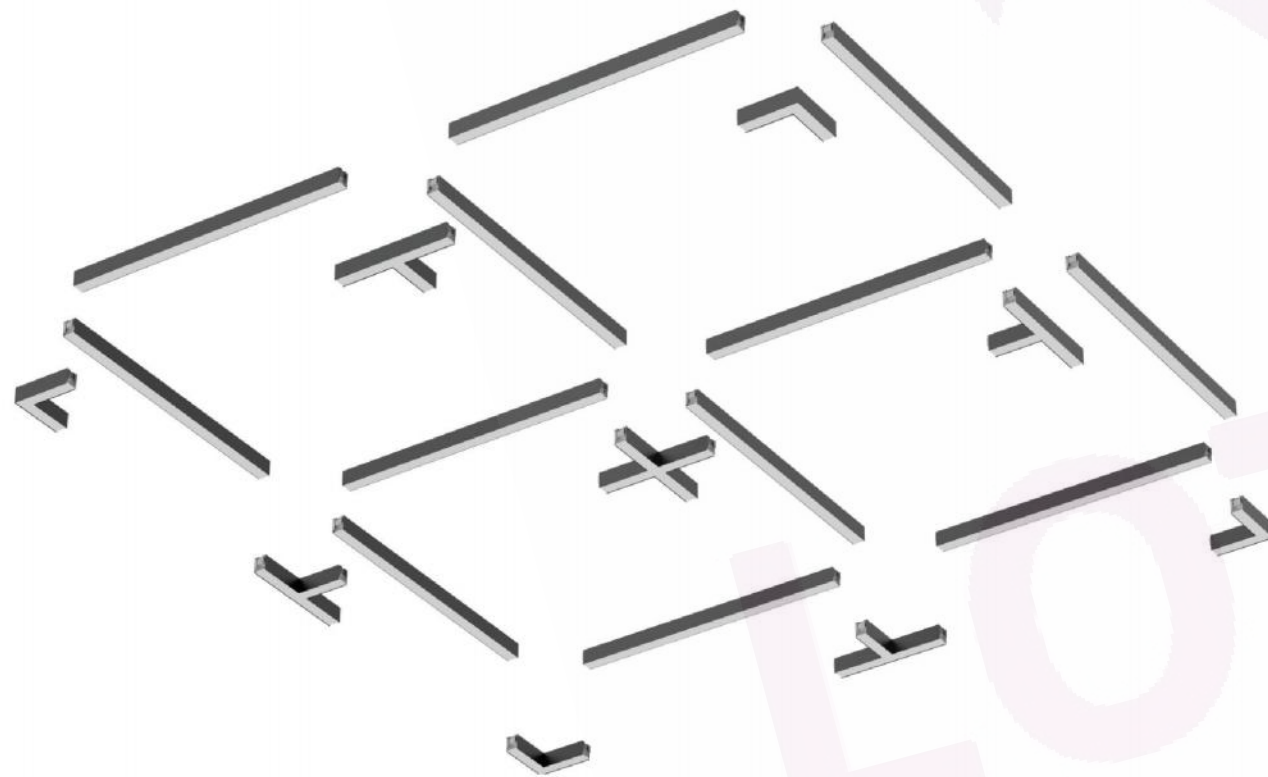


# PMMA T-SHAPE



**Colour:**

- Sand black
- Sand white
- Wood grain
- Matte black
- Matte white
- Silver



# DIRECT LED LINEAR

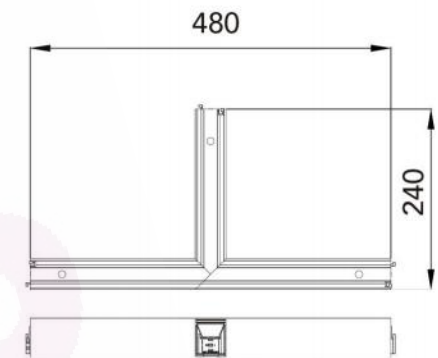


## FEATURES

- High efficacy up to 100-130 lm/w.
- UV-resistance PMMA diffuser.
- Indirect and Direct LED Lighting.
- Profile detachable design structure.
- No screw design with the end cap.
- Seamless splicing of various shapes(X;L;T;Y Shape).
- DALI dimming is available.
- Emergency backup and sensor optional is available.

## DIMENSIONS

Length	Width	Height
1.57ft*0.79ft/18.90"*9.45"/480*240mm	2"/51mm	2.56"/65mm



## SPECIFICATION

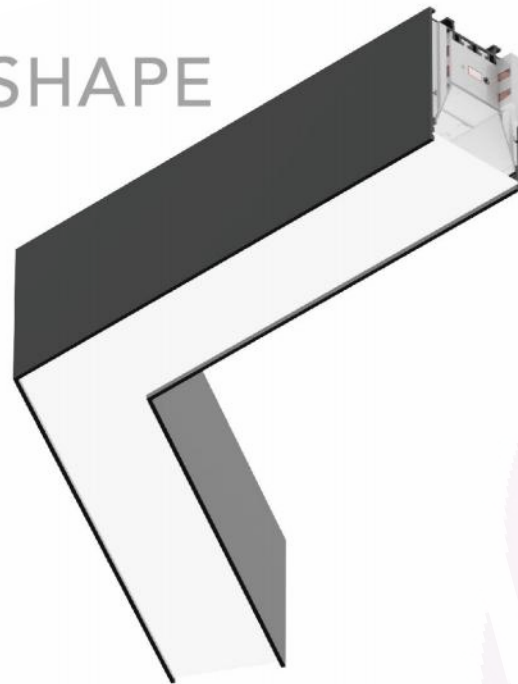
Power	Efficacy	CCT	Input Voltage
25-30W/M	100-130 lm/w	3000K/4000K/5000K	AC180-264V /110-277V
Size (L*W*H)	Diffuser Material	End Cap Material	Body Material
W51*H65mm	PMMA	PC	1.3mm 6063 Aluminum



Brighten your life

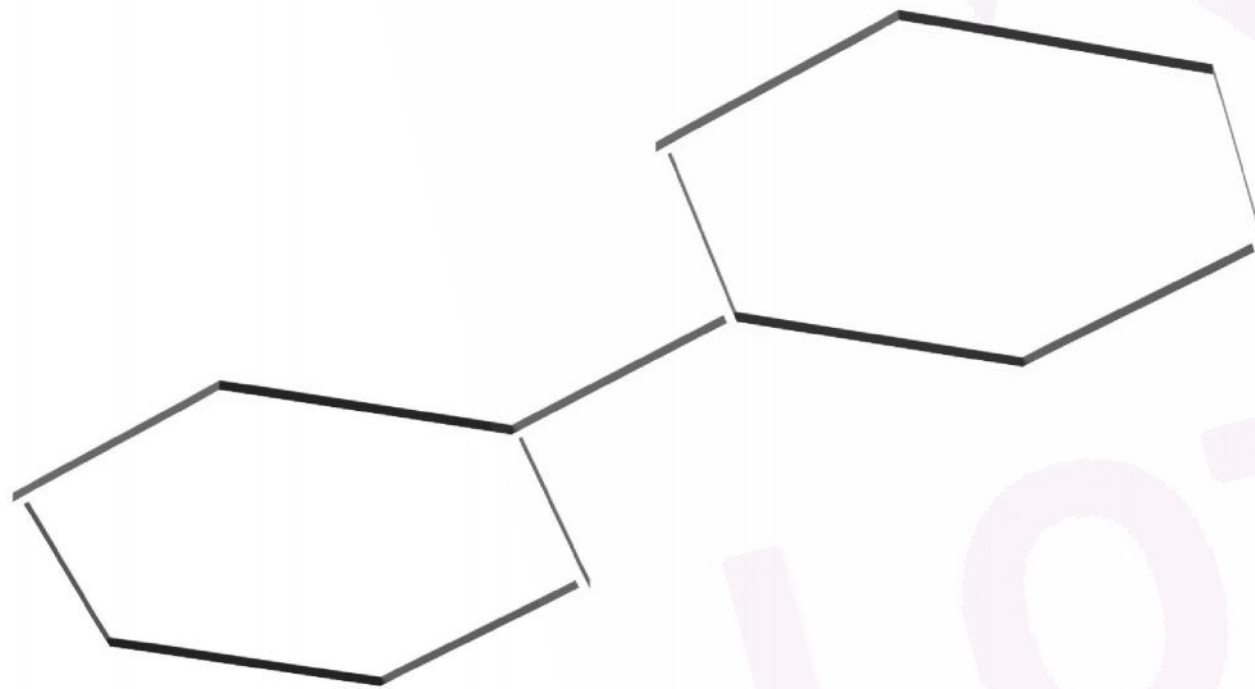


# PMMA HEXAGON SHAPE



Colour:

- Sand black
- Sand white
- Wood grain
- Matte black
- Matte white
- Silver



# DIRECT LED LINEAR

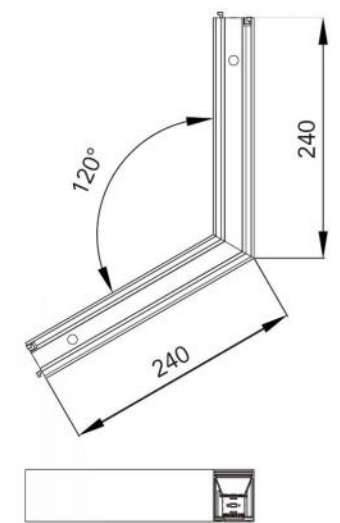


## FEATURES

- High efficacy up to 100-130 lm/w.
- UV-resistance PMMA diffuser.
- Indirect and Direct LED Lighting.
- Profile detachable design structure.
- No screw design with the end cap.
- Seamless splicing of various shapes(X;L;T;Y Shape).
- DALI dimming is available.
- Emergency backup and sensor optional is available.

## DIMENSIONS

Length	Width	Height
0.79ft*0.79ft/9.45"*9.45"/240*240mm	2"/51mm	2.56"/65mm



## SPECIFICATION

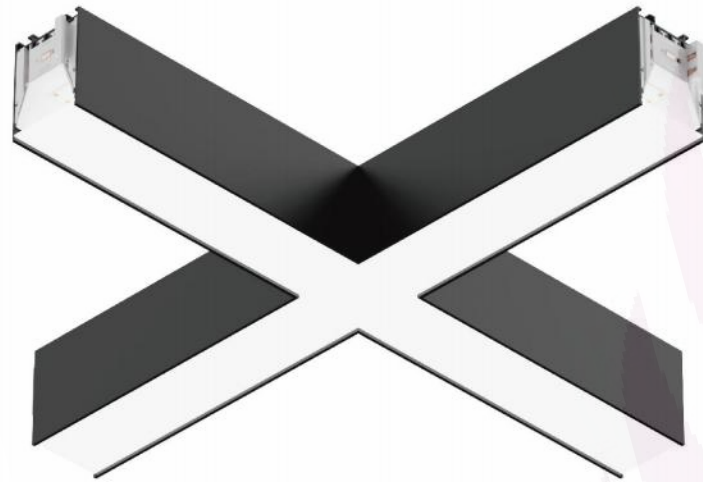
Power	Efficary	CCT	Input Voltage
25-30W/M	100-130 lm/w	3000K/4000K/5000K	AC180-264V /110-277V
Size (L*W*H)	Diffuser Material	End Cap Material	Body Material
W51*H65mm	PMMA	PC	1.3mm 6063 Aluminum



Brighten your life

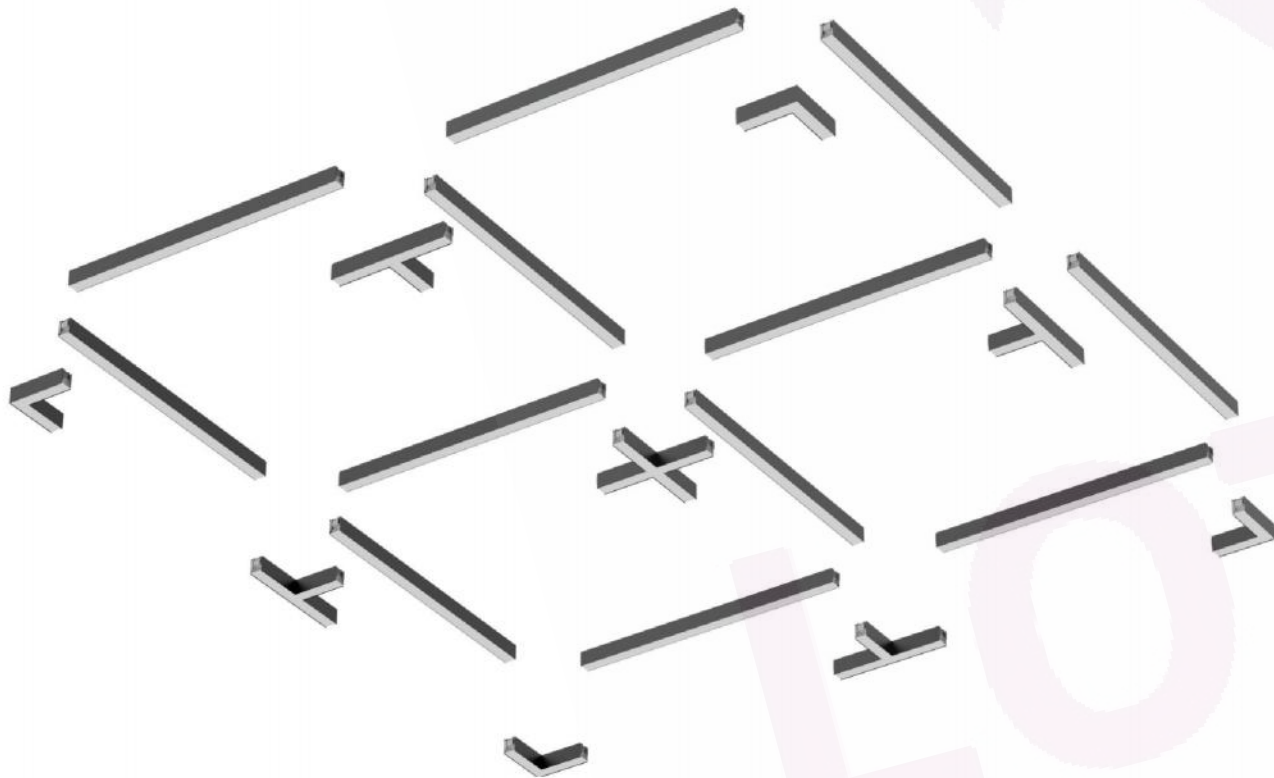


# PMMA X-SHAPE



**Colour:**

- Sand black
- Sand white
- Wood grain
- Matte black
- Matte white
- Silver



# DIRECT LED LINEAR

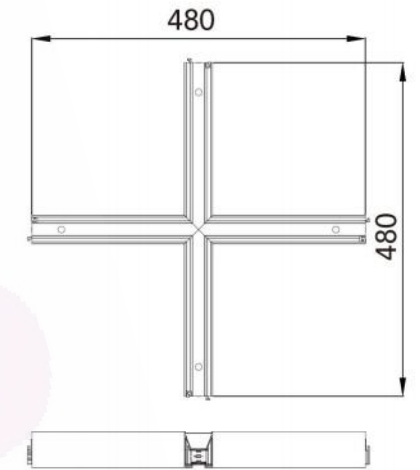


## FEATURES

- High efficacy up to 100-130 lm/w.
- UV-resistance PMMA diffuser.
- Indirect and Direct LED Lighting.
- Profile detachable design structure.
- No screw design with the end cap.
- Seamless splicing of various shapes(X;L;T;Y Shape).
- DALI dimming is available.
- Emergency backup and sensor optional is available.

## DIMENSIONS

Length	Width	Height
1.57ft*1.57ft/18.90"*18.90"/480*480mm	2"/51mm	2.56"/65mm



## SPECIFICATION

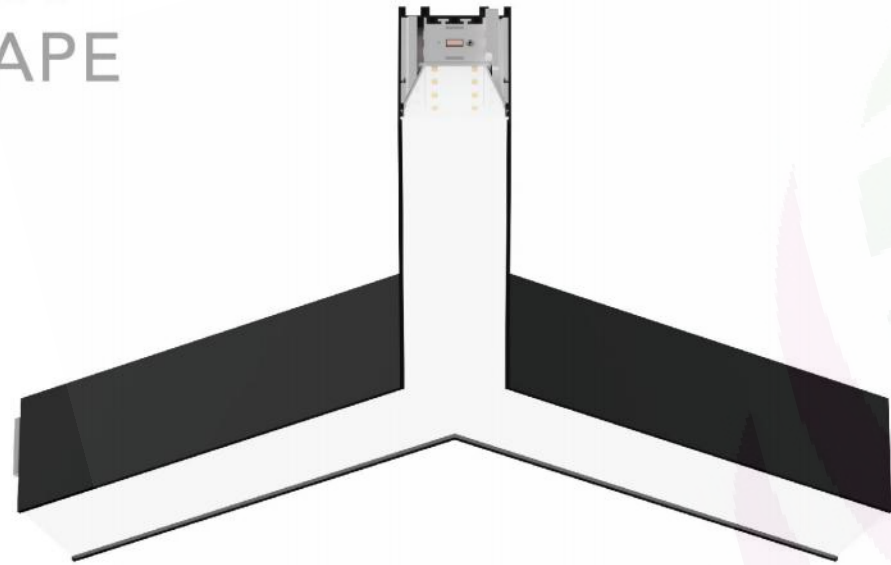
Power	Efficacy	CCT	Input Voltage
25-30W/M	100-130 lm/w	3000K/4000K/5000K	AC180-264V /110-277V
Size (L*W*H)	Diffuser Material	End Cap Material	Body Material
W51*H65mm	PMMA	PC	1.3mm 6063 Aluminum



Brighten your life

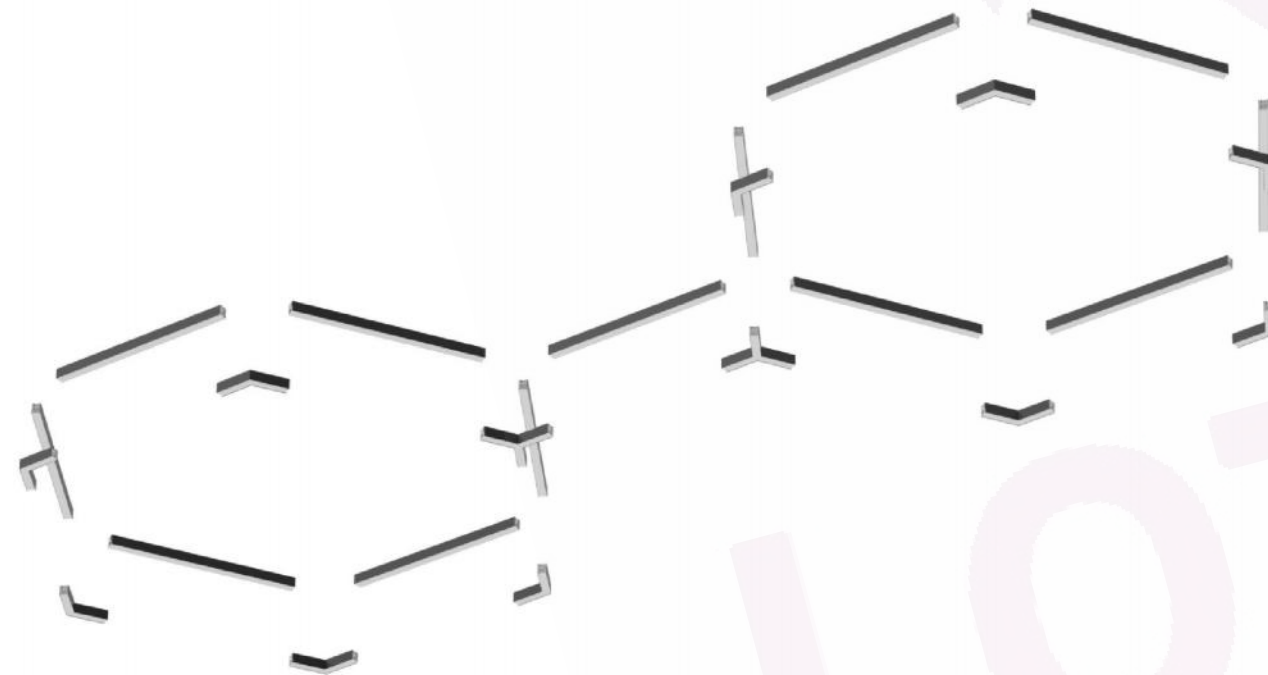


# PMMA Y-SHAPE



**Colour:**

- Sand black
- Sand white
- Wood grain
- Matte black
- Matte white
- Silver



# DIRECT LED LINEAR

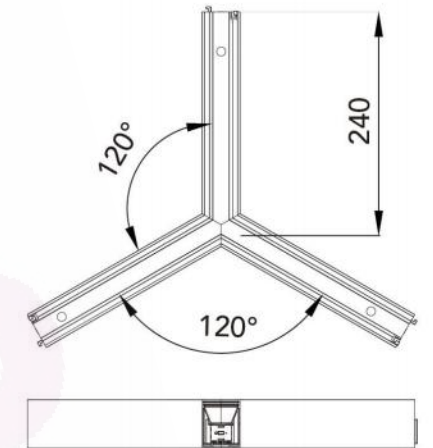


## FEATURES

- High efficacy up to 100-130 lm/w.
- UV-resistance PMMA diffuser.
- Indirect and Direct LED Lighting.
- Profile detachable design structure.
- No screw design with the end cap.
- Seamless splicing of various shapes(X;L;T;Y Shape).
- DALI dimming is available.
- Emergency backup and sensor optional is available.

## DIMENSIONS

Length	Width	Height
1.57ft*1.57ft/18.90"*18.90"/480*480mm	2"/51mm	2.56"/65mm



## SPECIFICATION

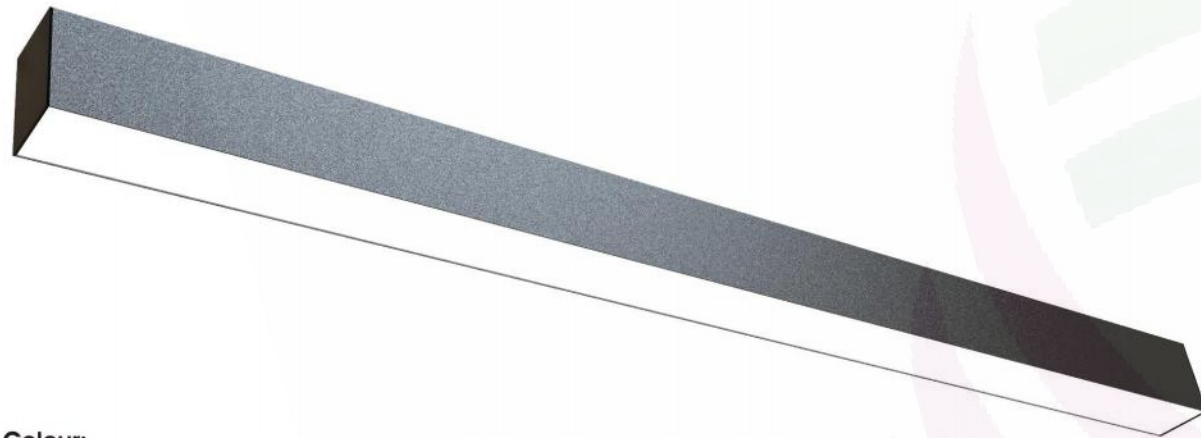
Power	Efficacy	CCT	Input Voltage
25-30W/M	100-130 lm/w	3000K/4000K/5000K	AC180-264V /110-277V
Size (L*W*H)	Diffuser Material	End Cap Material	Body Material
W51*H65mm	PMMA	PC	1.3mm 6063 Aluminum



Brighten your life



# LED LINEAR LIGHT SERIES



Colour:

- Sand black
- Sand white
- Wood grain
- Matte black
- Matte white
- Silver



# DIRECT LED LINEAR

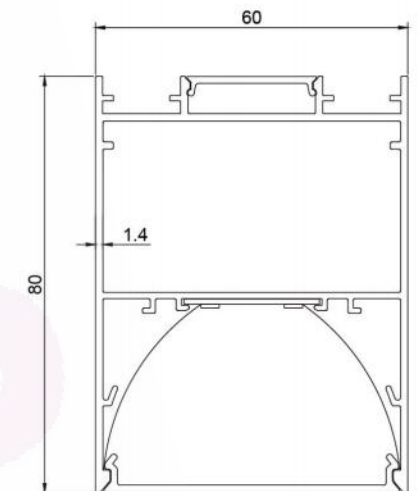


## FEATURES

- Up to 100 lm/w, CRI>80 or CRI>90.
- UV-resistance PMMA diffuser.
- High Quality extruded 1.4mm 6063 aluminum profile.
- No screw design with end cap.
- 0-10V/1-10V;Dali;Traic dimming are available.
- Emergency back up and sensor optional also available.
- Easy installation, suspending, surface and wall mounted,does not require any assembly.
- Brand BOKE driver with 5 years warranty.

## DIMENSIONS

Length	Width	Height
4ft/47"/1200mm	2.36"/60mm	3.15"/80mm
5ft/59"/1500mm	2.36"/60mm	3.15"/80mm
6ft/71"/1800mm	2.36"/60mm	3.15"/80mm
8ft/94"/2400mm	2.36"/60mm	3.15"/80mm



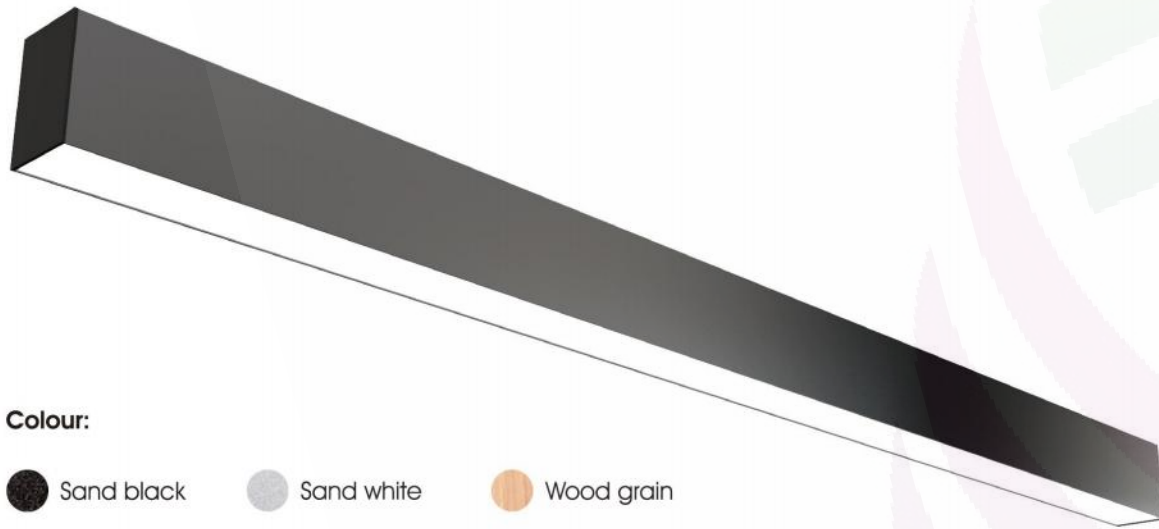
## SPECIFICATION

Model	Power	Luminous	Efficary	CCT	Input Voltage	PF	Beam Angle
DB-OP6080-xx	30W	3000 lm	100 lm/w	3000K/4000K/5000K	AC180-264V /110-277V	>0.9	110°
DB-OP6080-xx	40W	4000 lm	100 lm/w	3000K/4000K/5000K	AC180-264V /110-277V	>0.9	110°
DB-OP6080-xx	50W	5000 lm	100 lm/w	3000K/4000K/5000K	AC180-264V /110-277V	>0.9	110°
DB-OP6080-xx	60W	6000 lm	100 lm/w	3000K/4000K/5000K	AC180-264V /110-277V	>0.9	110°

Brighten your life

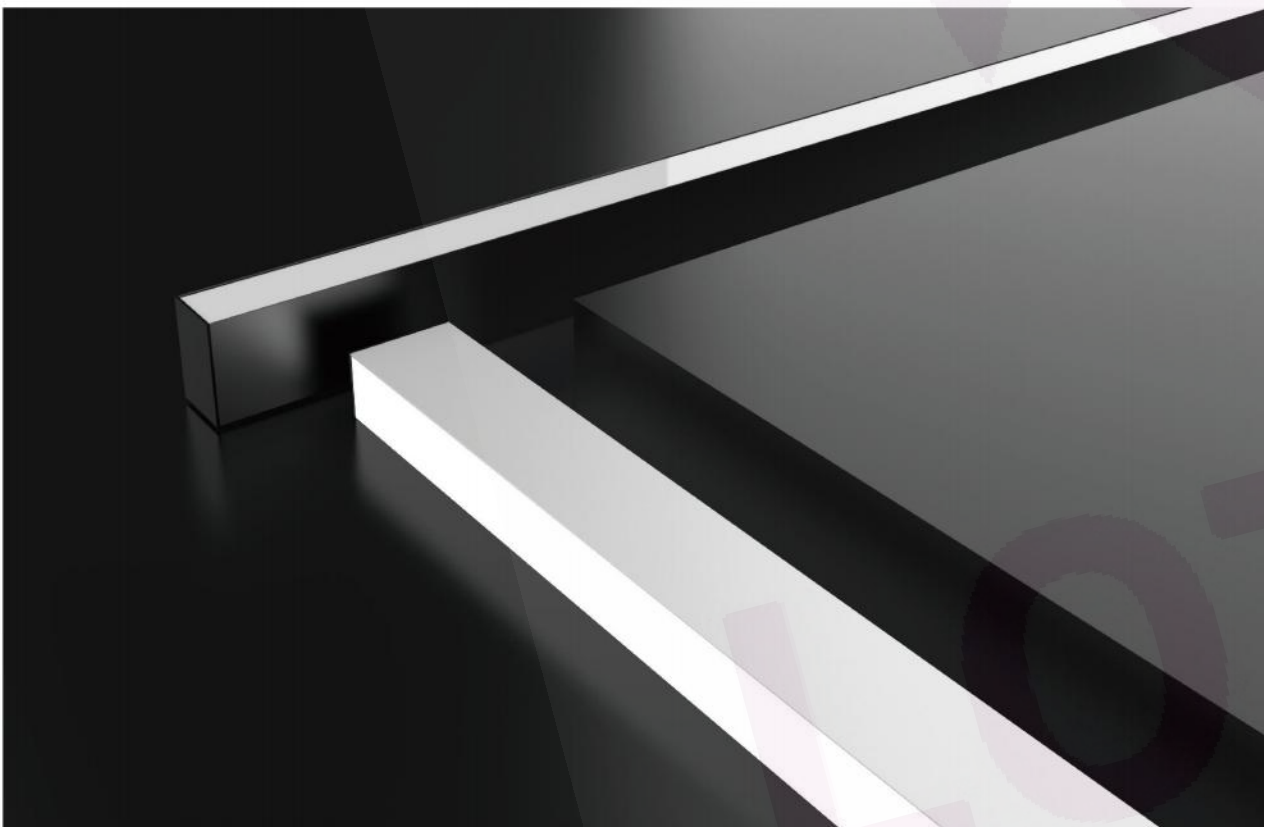


# LED LINEAR LIGHT SERIES



Colour:

- Sand black
- Sand white
- Wood grain
- Matte black
- Matte white
- Silver



# DIRECT LED LINEAR

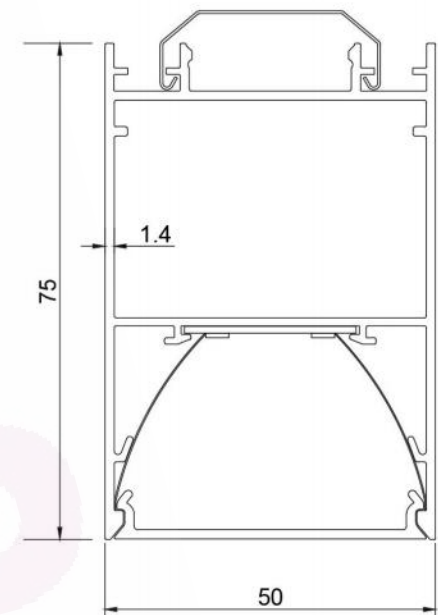


## FEATURES

- Up to 100 lm/w, CRI>80 or CRI>90.
- UV-resistance PMMA diffuser.
- High Quality extrusion 1.4mm 6063 aluminum profile.
- No screw design with end cap.
- 0-10V/1-10V;Dali;Traic dimming are available.
- Emergency back up and sensor optional also available.
- Various installation suspending, surface and wall mounted.
- Brand BOKE driver with 5 years warranty.

## DIMENSIONS

Length	Width	Height
4ft/47"/1200mm	1.97"/50mm	2.95"/75mm
5ft/59"/1500mm	1.97"/50mm	2.95"/75mm
6ft/71"/1800mm	1.97"/50mm	2.95"/75mm
8ft/94"/2400mm	1.97"/50mm	2.95"/75mm



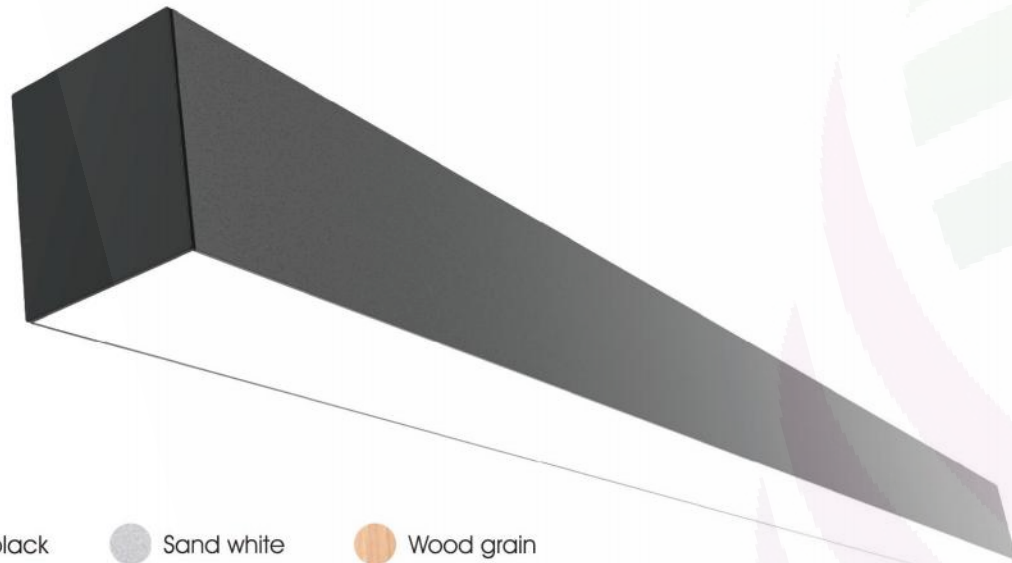
## SPECIFICATION

Model	Power	Luminous	Efficary	CCT	Input Voltage	PF	Beam Angle
DB-OP5075-xx	30W	3000 lm	100lm/w	3000K/4000K/5000K	AC180-264V /110-277V	>0.9	110°
DB-OP5075-xx	40W	4000 lm	100lm/w	3000K/4000K/5000K	AC180-264V /110-277V	>0.9	110°
DB-OP5075-xx	50W	5000 lm	100lm/w	3000K/4000K/5000K	AC180-264V /110-277V	>0.9	110°
DB-OP5075-xx	60W	6000 lm	100lm/w	3000K/4000K/5000K	AC180-264V /110-277V	>0.9	110°



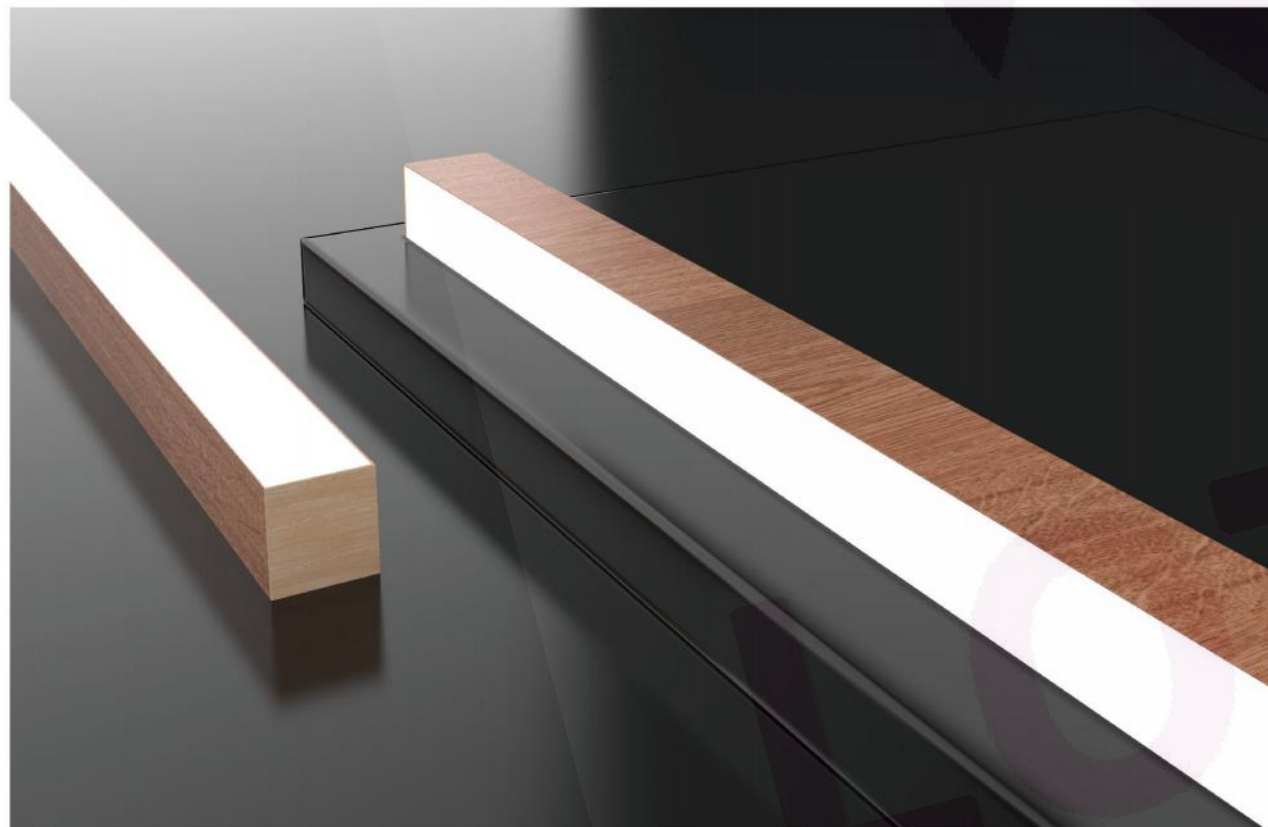


# LED LINEAR LIGHT SERIES



**Colour:**

- Sand black
- Sand white
- Wood grain
- Matte black
- Matte white
- Silver



# DIRECT LED LINEAR

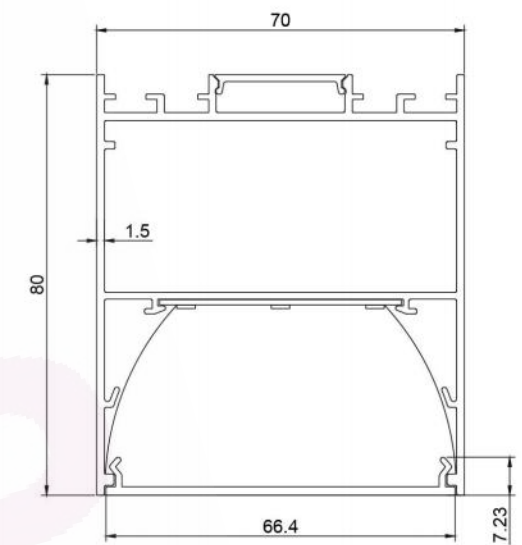


## FEATURES

- Up to 100 lm/w, CRI>80 or CRI>90.
- UV-resistance PMMA diffuser.
- High Quality extrusion 1.5mm 6063 aluminum profile.
- No screw design with end cap.
- 0-10V/1-10V;Dali;Traic dimming are available.
- Emergency back up and sensor optional also available.
- Various installation suspending, surface and wall mounted.
- Brand BOKE driver with 5 years warranty.

## DIMENSIONS

Length	Width	Height
4ft/47"/1200mm	2.76"/70mm	3.15"/80mm
5ft/59"/1500mm	2.76"/70mm	3.15"/80mm
6ft/71"/1800mm	2.76"/70mm	3.15"/80mm
8ft/94"/2400mm	2.76"/70mm	3.15"/80mm



## SPECIFICATION

Model	Power	Luminous	Efficary	CCT	Input Voltage	PF	Beam Angle
DB-OP7080-xx	30W	3000 lm	100 lm/w	3000K/4000K/5000K	AC180-264V /110-277V	>0.9	110°
DB-OP7080-xx	40W	4000 lm	100 lm/w	3000K/4000K/5000K	AC180-264V /110-277V	>0.9	110°
DB-OP7080-xx	50W	5000 lm	100 lm/w	3000K/4000K/5000K	AC180-264V /110-277V	>0.9	110°
DB-OP7080-xx	60W	6000 lm	100 lm/w	3000K/4000K/5000K	AC180-264V /110-277V	>0.9	110°



Brighten your life

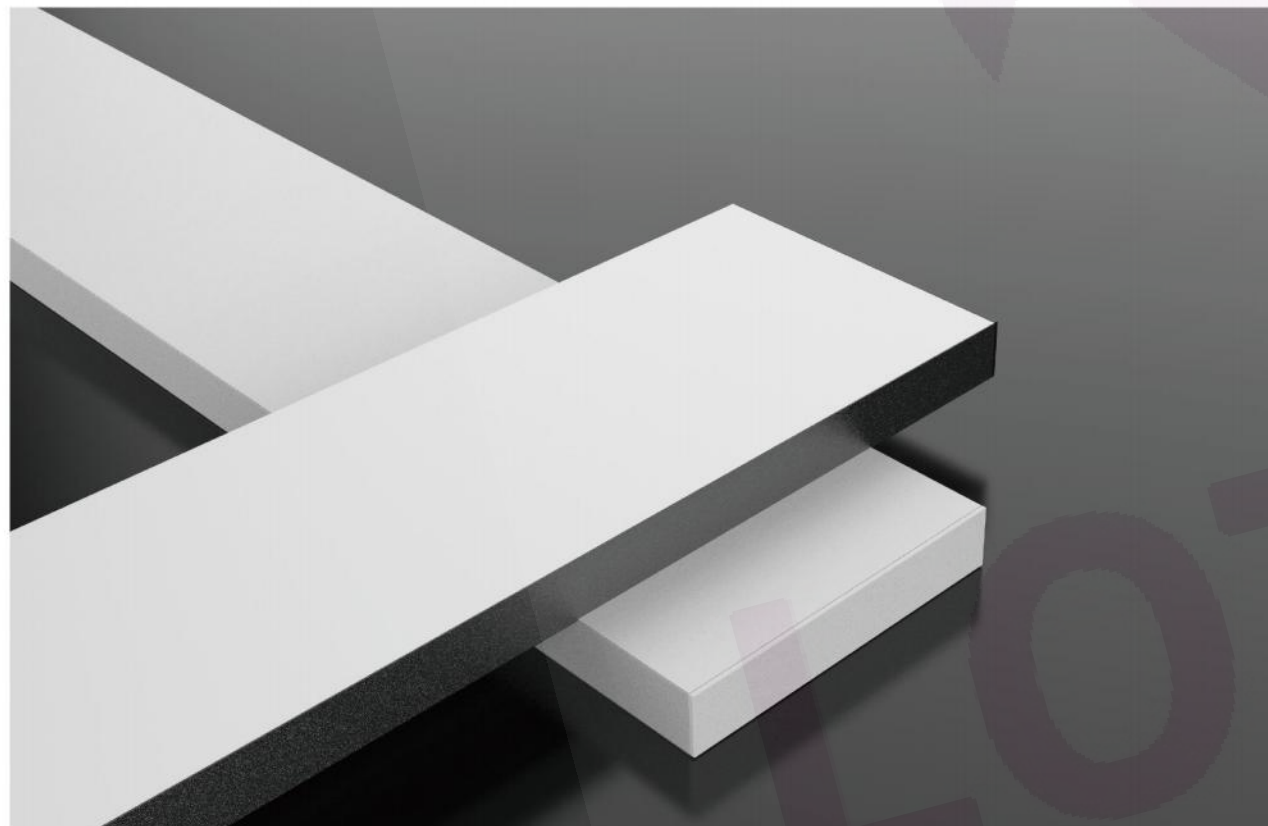


# LED LINEAR LIGHT SERIES



**Colour:**

- Sand black
- Sand white
- Wood grain
- Matte black
- Matte white
- Silver



# DIRECT LED LINEAR

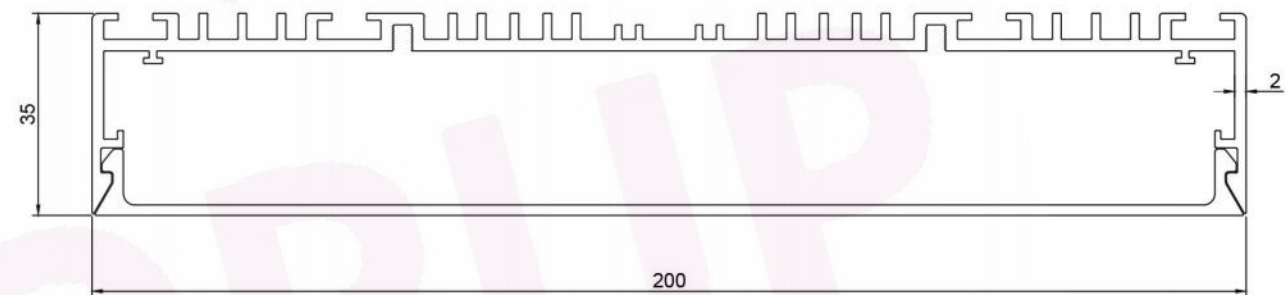


## FEATURES

- Up to 120 lm/w, CRI>80 or CRI>90.
- UV-resistance PMMA diffuser.
- High Quality extrusion 2mm 6063 aluminum profile.
- No screw design with end cap.
- 0-10V/1-10V;Dali;Traic dimming are available.
- Emergency back up and sensor optional also available.
- Various installation suspending, surface and wall mounted.
- Brand BOKE driver with 5 years warranty.

## DIMENSIONS

Length	Width	Height
4ft/47"/1200mm	7.87"/200mm	1.38"/35mm
5ft/59"/1500mm	7.87"/200mm	1.38"/35mm
6ft/71"/1800mm	7.87"/200mm	1.38"/35mm
8ft/94"/2400mm	7.87"/200mm	1.38"/35mm



## SPECIFICATION

Model	Power	Luminous	Efficacy	CCT	Input Voltage	PF	Beam Angle
DB-OP20035-xx	30W	3600 lm	100lm/w	3000K/4000K/5000K	AC180-264V /110-277V	>0.9	110°
DB-OP20035-xx	40W	4800 lm	100lm/w	3000K/4000K/5000K	AC180-264V /110-277V	>0.9	110°
DB-OP20035-xx	50W	6000 lm	100lm/w	3000K/4000K/5000K	AC180-264V /110-277V	>0.9	110°
DB-OP20035-xx	60W	7200 lm	100lm/w	3000K/4000K/5000K	AC180-264V /110-277V	>0.9	110°



# LED LINEAR LIGHT SERIES



**Colour:**

- Sand black
- Sand white
- Wood grain
- Matte black
- Matte white
- Silver



# DIRECT LED LINEAR

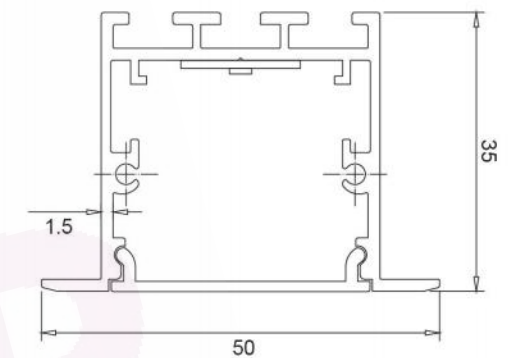


## FEATURES

- Up to 100 lm/w, CRI>80 or CRI>90.
- UV-resistance PMMA diffuser.
- High Quality extrusion 1.5mm 6063 aluminum profile.
- No screw design with end cap.
- 0-10V/1-10V;Dali;Traic dimming are available.
- Emergency back up and sensor optional also available.
- Easy Recessed Installation.
- Brand BOKE driver with 5 years warranty.

## DIMENSIONS

Length	Width	Height
4ft/47"/1200mm	1.97"/50mm	1.38"/35mm
5ft/59"/1500mm	1.97"/50mm	1.38"/35mm
6ft/71"/1800mm	1.97"/50mm	1.38"/35mm
8ft/94"/2400mm	1.97"/50mm	1.38"/35mm



## SPECIFICATION

Model	Power	Luminous	Efficacy	CCT	Input Voltage	PF	Beam Angle
DB-OP5035-xx	30W	3000 lm	100 lm/w	3000K/4000K/5000K	AC180-264V /110-277V	>0.9	110°
DB-OP5035-xx	40W	4000 lm	100 lm/w	3000K/4000K/5000K	AC180-264V /110-277V	>0.9	110°
DB-OP5035-xx	50W	5000 lm	100 lm/w	3000K/4000K/5000K	AC180-264V /110-277V	>0.9	110°
DB-OP5035-xx	60W	6000 lm	100 lm/w	3000K/4000K/5000K	AC180-264V /110-277V	>0.9	110°



Brighten your life

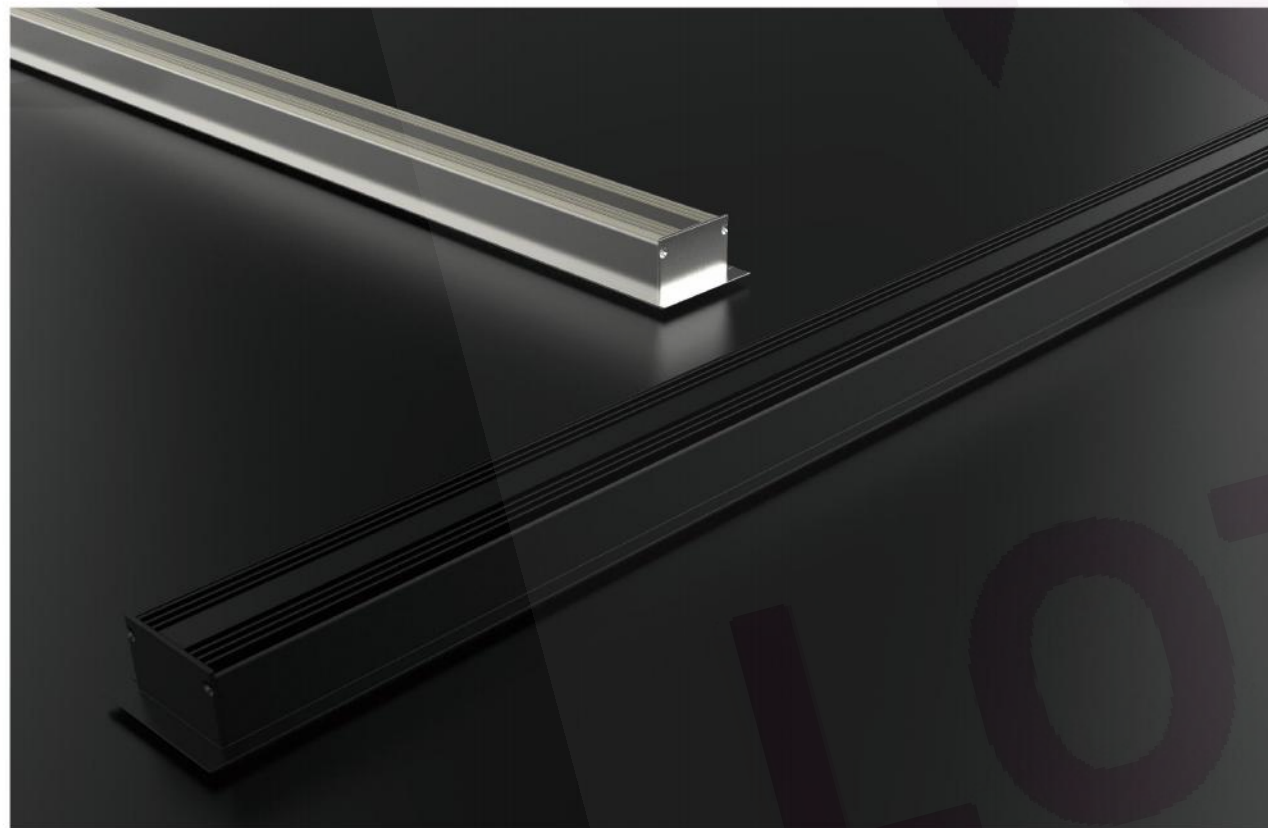


# LED LINEAR LIGHT SERIES



Colour:

- Sand black
- Sand white
- Wood grain
- Matte black
- Matte white
- Silver



# DIRECT LED LINEAR

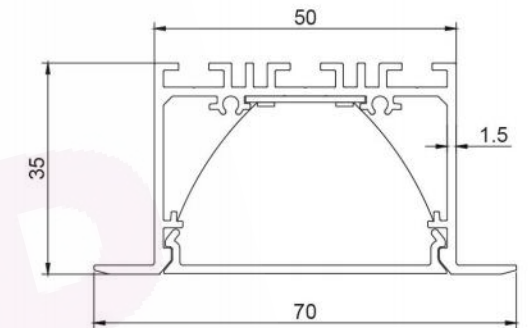


## FEATURES

- Up to 100 lm/w, CRI>80 or CRI>90.
- UV-resistance PMMA diffuser.
- High Quality extruded 1.5mm 6063 aluminum profile.
- No screw design with end cap.
- 0-10V/1-10V;Dali;Traic dimming are available.
- Emergency back up and sensor optional also available.
- Easy Recessed Installation.
- Brand BOKE driver with 5 years warranty.

## DIMENSIONS

Length	Width	Height
4ft/47"/1200mm	2.76"/70mm	1.38"/35mm
5ft/59"/1500mm	2.76"/70mm	1.38"/35mm
6ft/71"/1800mm	2.76"/70mm	1.38"/35mm
8ft/94"/2400mm	2.76"/70mm	1.38"/35mm



## SPECIFICATION

Model	Power	Luminous	Efficacy	CCT	Input Voltage	PF	Beam Angle
DB-OP7035-xx	30W	3000 lm	100 lm/w	3000K/4000K/5000K	AC180-264V /110-277V	>0.9	110°
DB-OP7035-xx	40W	4000 lm	100 lm/w	3000K/4000K/5000K	AC180-264V /110-277V	>0.9	110°
DB-OP7035-xx	50W	5000 lm	100 lm/w	3000K/4000K/5000K	AC180-264V /110-277V	>0.9	110°
DB-OP7035-xx	60W	6000 lm	100 lm/w	3000K/4000K/5000K	AC180-264V /110-277V	>0.9	110°

Brighten your life

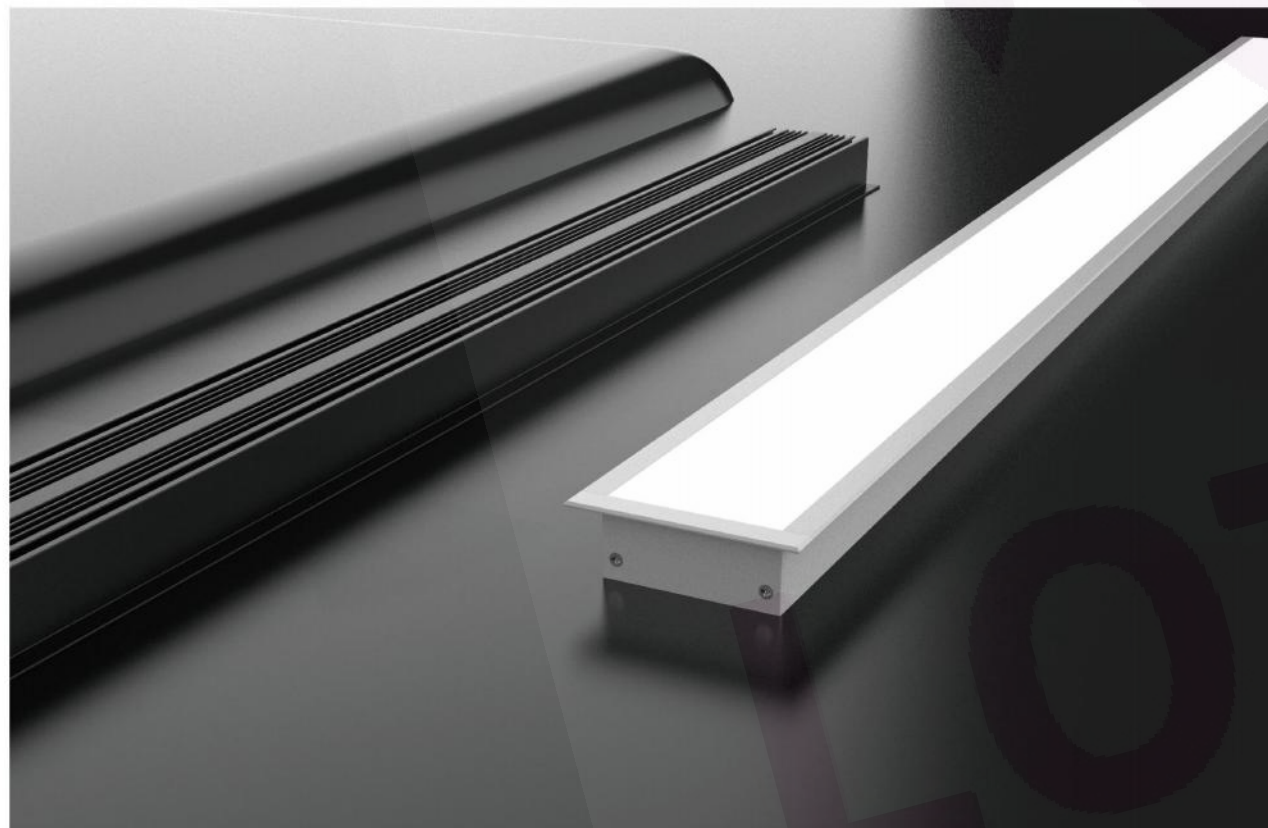


# LED LINEAR LIGHT SERIES



**Colour:**

- Sand black
- Sand white
- Wood grain
- Matte black
- Matte white
- Silver



# DIRECT LED LINEAR

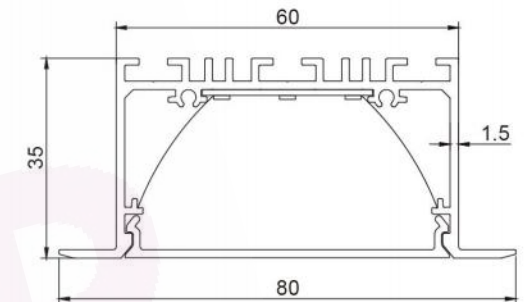


## FEATURES

- Up to 100 lm/w, CRI>80 or CRI>90.
- UV-resistance PMMA diffuser.
- High Quality extruded 1.5mm 6063 aluminum profile.
- No screw design with end cap.
- 0-10V/1-10V;Dali;Traic dimming are available.
- Emergency back up and sensor optional also available.
- Easy Recessed Installation.
- Brand BOKE driver with 5 years warranty.

## DIMENSIONS

Length	Width	Height
4ft/47"/1200mm	3.15"/80mm	1.38"/35mm
5ft/59"/1500mm	3.15"/80mm	1.38"/35mm
6ft/71"/1800mm	3.15"/80mm	1.38"/35mm
8ft/94"/2400mm	3.15"/80mm	1.38"/35mm



## SPECIFICATION

Model	Power	Luminous	Efficary	CCT	IInput Voltage	PF	Beam Angle
DB-OP8035-xx	30W	3000 lm	100 lm/w	3000K/4000K/5000K	AC180-264V /110-277V	>0.9	110°
DB-OP8035-xx	40W	4000 lm	100 lm/w	3000K/4000K/5000K	AC180-264V /110-277V	>0.9	110°
DB-OP8035-xx	50W	5000 lm	100 lm/w	3000K/4000K/5000K	AC180-264V /110-277V	>0.9	110°
DB-OP8035-xx	60W	6000 lm	100 lm/w	3000K/4000K/5000K	AC180-264V /110-277V	>0.9	110°



Brighten your life

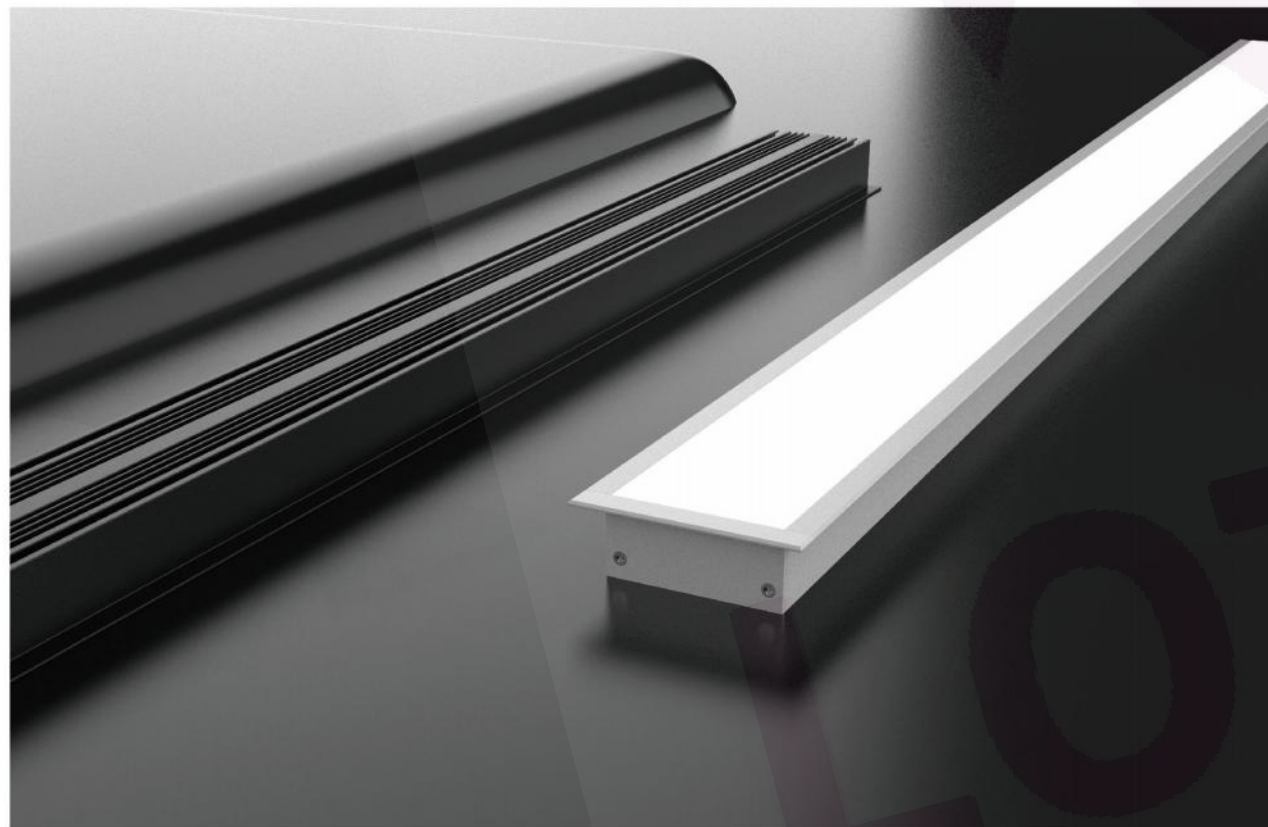


# LED LINEAR LIGHT SERIES



**Colour:**

- Sand black
- Sand white
- Wood grain
- Matte black
- Matte white
- Silver



# DIRECT LED LINEAR

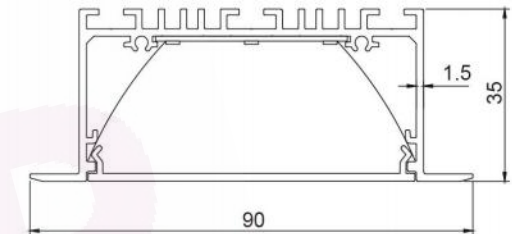


## FEATURES

- Up to 100 lm/w, CRI>80 or CRI>90.
- UV-resistance PMMA diffuser.
- High Quality extruded 1.5mm 6063 aluminum profile.
- No screw design with end cap.
- 0-10V/1-10V;Dali;Traic dimming are available.
- Emergency back up and sensor optional also available.
- Easy Recessed Installation.
- Brand BOKE driver with 5 years warranty.

## DIMENSIONS

Length	Width	Height
4ft/47"/1200mm	3.54"/90mm	1.38"/35mm
5ft/59"/1500mm	3.54"/90mm	1.38"/35mm
6ft/71"/1800mm	3.54"/90mm	1.38"/35mm
8ft/94"/2400mm	3.54"/90mm	1.38"/35mm



## SPECIFICATION

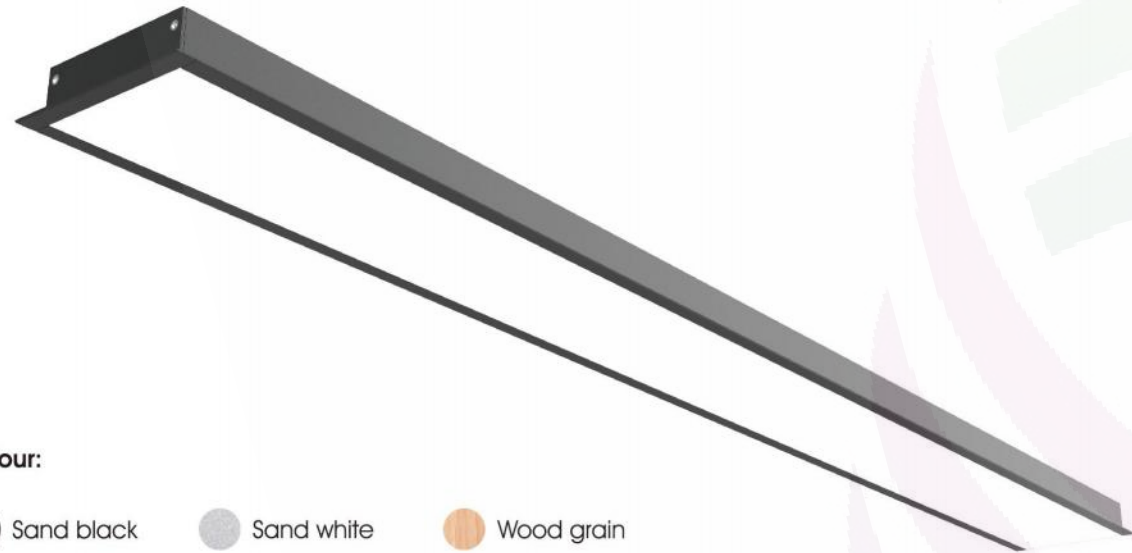
Model	Power	Luminous	Efficary	CCT	Input Voltage	PF	Beam Angle
DB-OP9035-xx	30W	3000 lm	100 lm/w	3000K/4000K/5000K	AC180-264V /110-277V	>0.9	110°
DB-OP9035-xx	40W	4000 lm	100 lm/w	3000K/4000K/5000K	AC180-264V /110-277V	>0.9	110°
DB-OP9035-xx	50W	5000 lm	100 lm/w	3000K/4000K/5000K	AC180-264V /110-277V	>0.9	110°
DB-OP9035-xx	60W	6000 lm	100 lm/w	3000K/4000K/5000K	AC180-264V /110-277V	>0.9	110°



Brighten your life

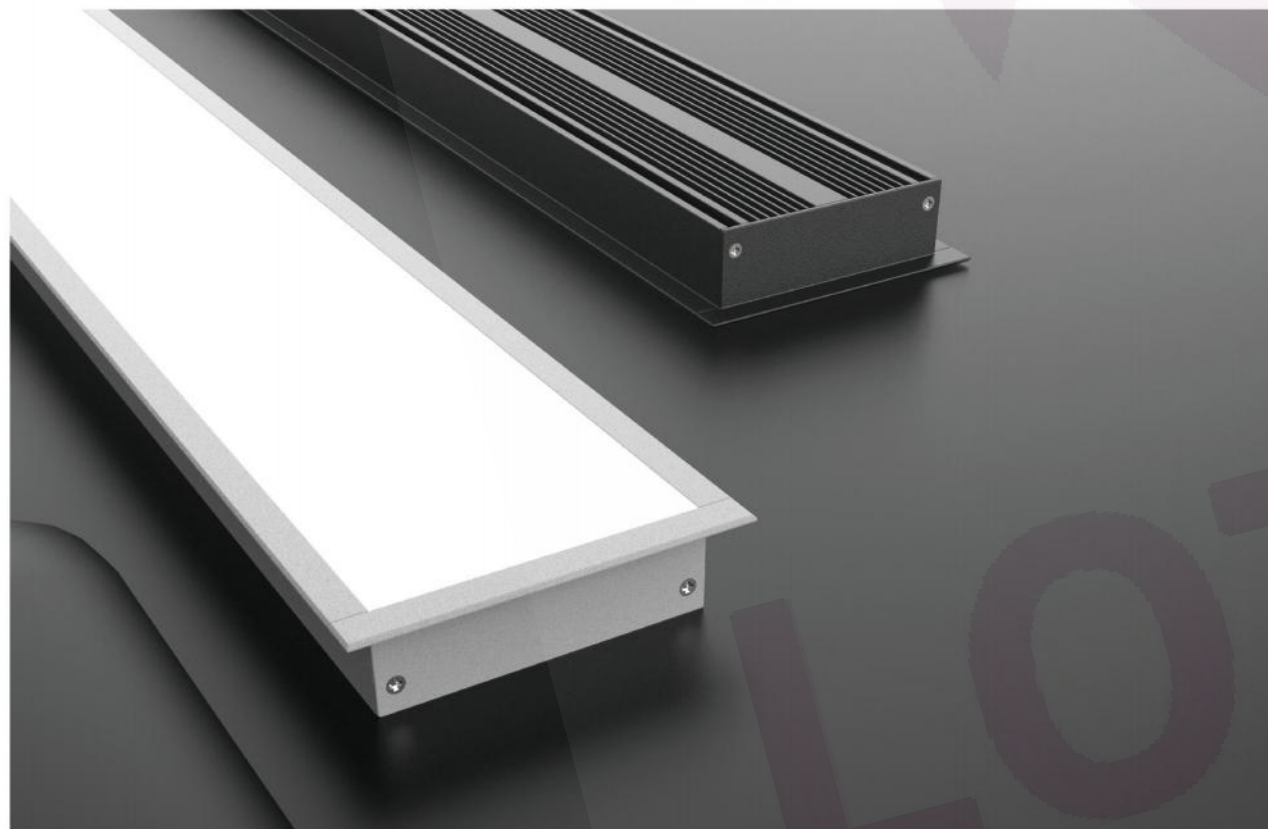


# LED LINEAR LIGHT SERIES



**Colour:**

- Sand black
- Sand white
- Wood grain
- Matte black
- Matte white
- Silver



# DIRECT LED LINEAR

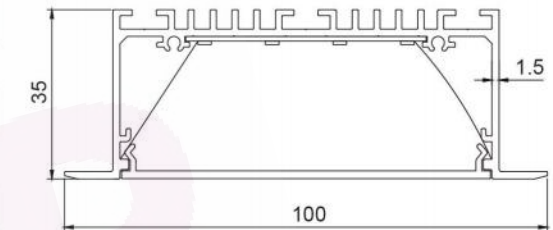


## FEATURES

- Up to 100 lm/w, CRI>80 or CRI>90.
- UV-resistance PMMA diffuser.
- High Quality extruded 1.5mm 6063 aluminum profile.
- No screw design with end cap.
- 0-10V/1-10V;Dali;Traic dimming are available.
- Emergency back up and sensor optional also available.
- Easy Recessed Installation.
- Brand BOKE driver with 5 years warranty.

## DIMENSIONS

Length	Width	Height
4ft/47"/1200mm	3.94"/100mm	1.38"/35mm
5ft/59"/1500mm	3.94"/100mm	1.38"/35mm
6ft/71"/1800mm	3.94"/100mm	1.38"/35mm
8ft/94"/2400mm	3.94"/100mm	1.38"/35mm



## SPECIFICATION

Model	Power	Luminous	Efficary	CCT	Input Voltage	PF	Beam Angle
DB-OP10035-xx	30W	3000 lm	100 lm/w	3000K/4000K/5000K	AC180-264V /110-277V	>0.9	110°
DB-OP10035-xx	40W	4000 lm	100 lm/w	3000K/4000K/5000K	AC180-264V /110-277V	>0.9	110°
DB-OP10035-xx	50W	5000 lm	100 lm/w	3000K/4000K/5000K	AC180-264V /110-277V	>0.9	110°
DB-OP10035-xx	60W	6000 lm	100 lm/w	3000K/4000K/5000K	AC180-264V /110-277V	>0.9	110°



Brighten your life

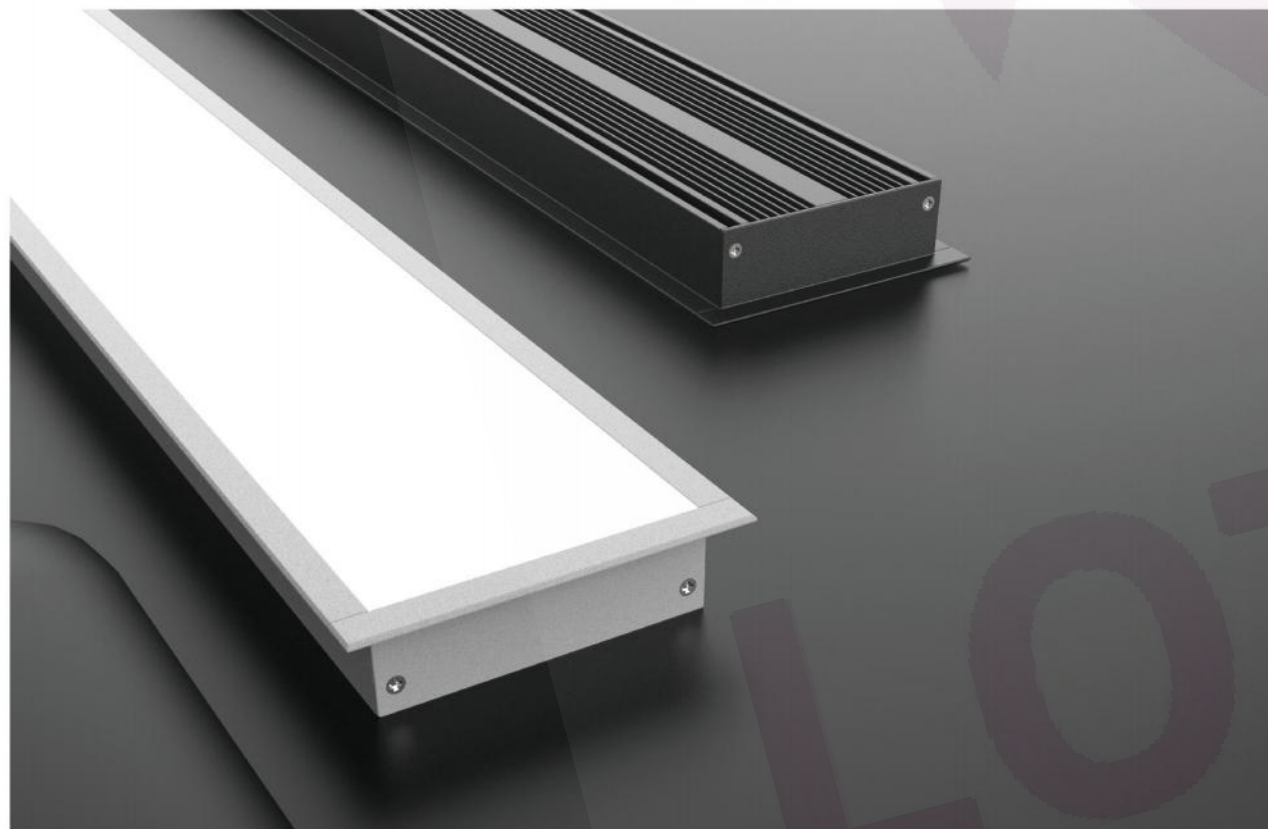


# LED LINEAR LIGHT SERIES



**Colour:**

- Sand black
- Sand white
- Wood grain
- Matte black
- Matte white
- Silver



# DIRECT LED LINEAR

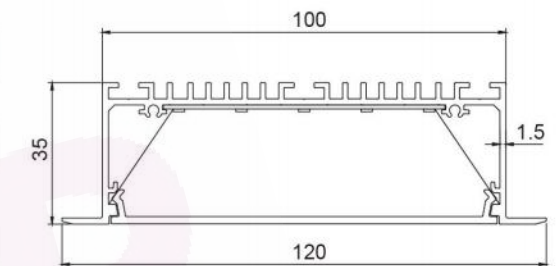


## FEATURES

- Up to 100 lm/w, CRI>80 or CRI>90.
- UV-resistance PMMA diffuser.
- High Quality extruded 1.5mm 6063 aluminum profile.
- No screw design with end cap.
- 0-10V/1-10V;Dali;Traic dimming are available.
- Emergency back up and sensor optional also available.
- Easy Recessed Installation.
- Brand BOKE driver with 5 years warranty.

## DIMENSIONS

Length	Width	Height
4ft/47"/1200mm	4.72"/120mm	1.38"/35mm
5ft/59"/1500mm	4.72"/120mm	1.38"/35mm
6ft/71"/1800mm	4.72"/120mm	1.38"/35mm
8ft/94"/2400mm	4.72"/120mm	1.38"/35mm



## SPECIFICATION

Model	Power	Luminous	Efficary	CCT	Input Voltage	PF	Beam Angle
DB-OP12035-xx	30W	3000 lm	100 lm/w	3000K/4000K/5000K	AC180-264V /110-277V	>0.9	110°
DB-OP12035-xx	40W	4000 lm	100 lm/w	3000K/4000K/5000K	AC180-264V /110-277V	>0.9	110°
DB-OP12035-xx	50W	5000 lm	100 lm/w	3000K/4000K/5000K	AC180-264V /110-277V	>0.9	110°
DB-OP12035-xx	60W	6000 lm	100 lm/w	3000K/4000K/5000K	AC180-264V /110-277V	>0.9	110°



Brighten your life



# PMMA ROUND SERIES

# CIRCULAR LED LINEAR



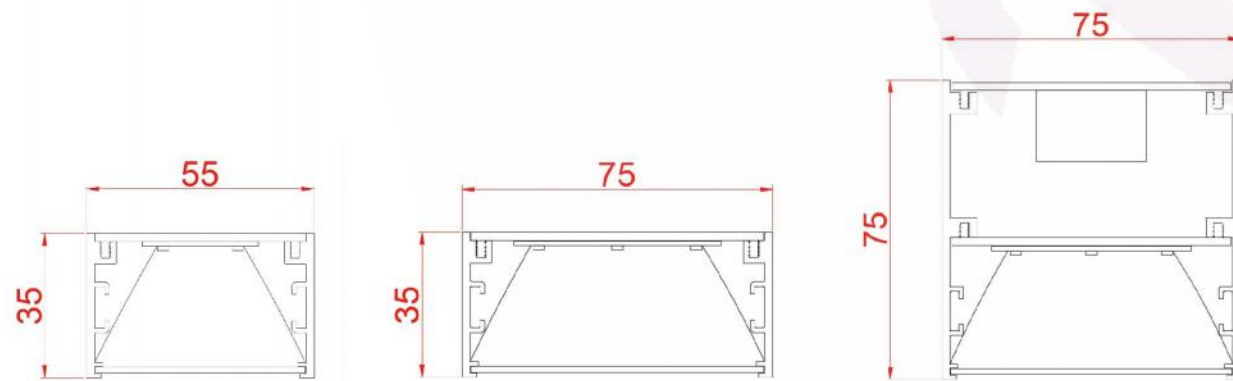
## FEATURES

- Ring-shaped pendant LED luminaire.
- Profile detachable design structure.
- Opal PMMA diffuser.
- 0-10V/1-10V;Dali;Traic dimming are available.
- Different custom diameter & colour available.



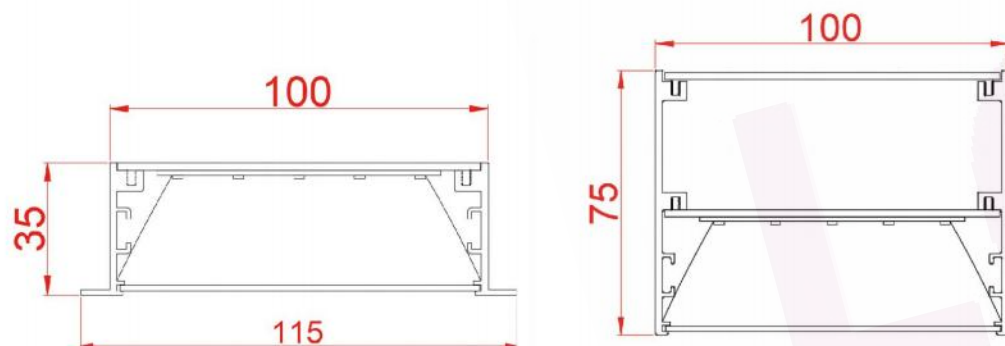
Colour:

- Sand black
- Sand white
- Wood grain
- Matte black
- Matte white
- Silver



## DIMENSIONS

Diameter	Width	Height
Ø600 mm	35/55/75/100 mm	35/75mm
Ø900 mm	35/55/75/100 mm	35/75mm
Ø1200 mm	35/55/75/100 mm	35/75mm
Ø1500 mm	35/55/75/100 mm	35/75mm
Ø2000 mm	35/55/75/100 mm	35/75mm
Customized	Customized	Customized



## SPECIFICATION

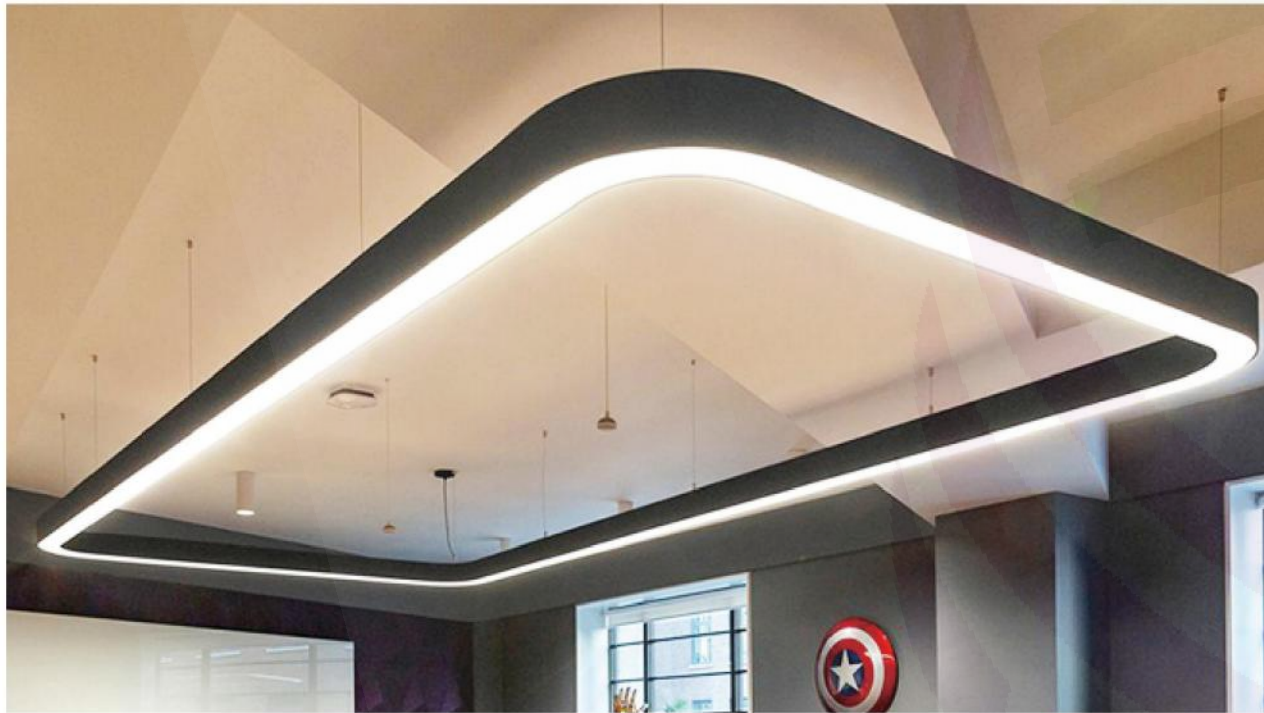
Model	Power	Efficacy	CCT	Input Voltage	PF	Beam Angle
DB-OPxx-Ø600	25-30 W/M	90 lm/w	3000K/4000K/5000K	AC180-264V /110-277V	>0.9	110°
DB-OPxx-Ø900	25-30 W/M	90 lm/w	3000K/4000K/5000K	AC180-264V /110-277V	>0.9	110°
DB-OPxx-Ø1200	25-30 W/M	90 lm/w	3000K/4000K/5000K	AC180-264V /110-277V	>0.9	110°
DB-OPxx-Ø1500	25-30 W/M	90 lm/w	3000K/4000K/5000K	AC180-264V /110-277V	>0.9	110°
DB-OPxx-Ø2000	25-30 W/M	90 lm/w	3000K/4000K/5000K	AC180-264V /110-277V	>0.9	110°

Brighten your life



# PMMA CURVED SERIES

# CURVED RECTANGLE LED LINEAR



### FEATURES

- Rounded Rectangular pendant LED luminaire.
- Profile detachable design structure.
- Opal PMMA diffuser.
- 0-10V/1-10V;Dali;Traic dimming are available.
- Different custom diameter & colour available.



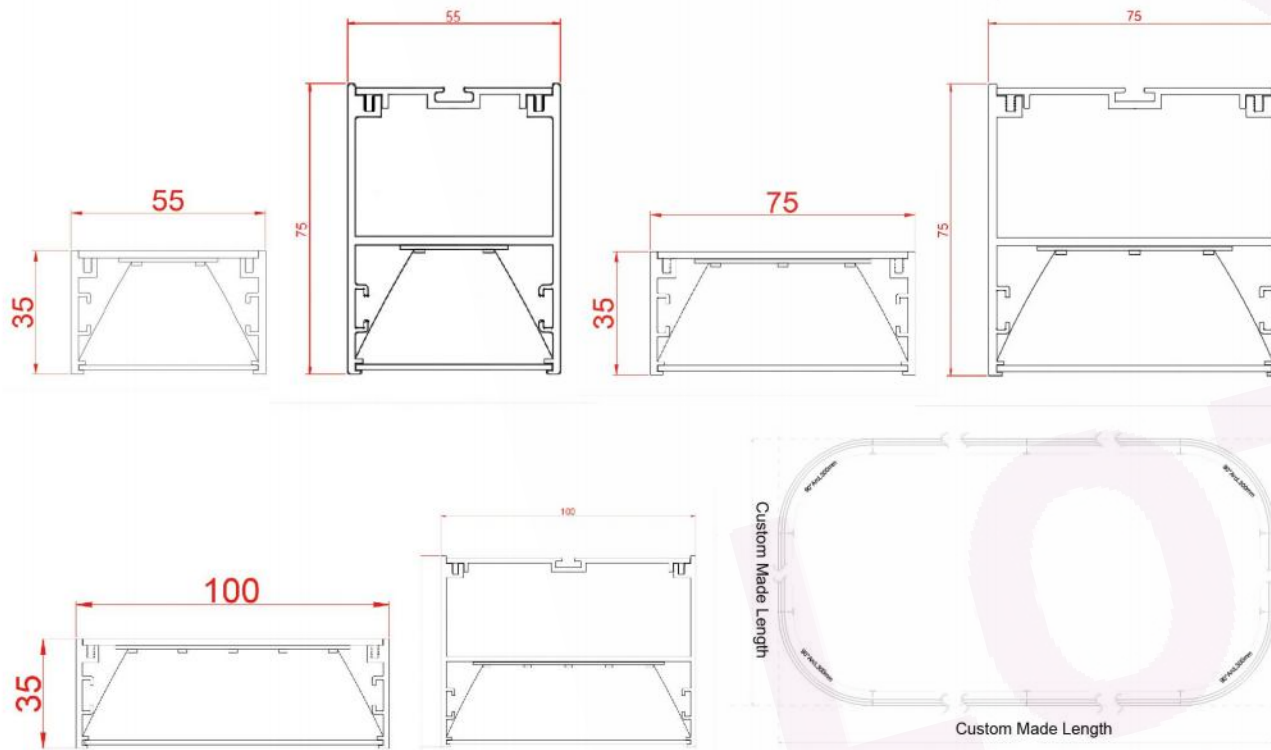
### DIMENSIONS

Straight Line Length	90° Arc Length	Width	Height
1200 mm	300 mm	35/55/75/100 mm	35/75 mm
1500 mm	300 mm	35/55/75/100 mm	35/75 mm
1800 mm	300 mm	35/55/75/100 mm	35/75 mm
2100 mm	300 mm	35/55/75/100 mm	35/75 mm
2400 mm	300 mm	35/55/75/100 mm	35/75 mm
Customized	Customized	Customized	Customized



### SPECIFICATION

Model	Power	Efficacy	CCT	Input Voltage	PF	Beam Angle
DB-OPxx-1200	25-30 W/M	90 lm/w	3000K/4000K/5000K	AC180-264V /110-277V	>0.9	110°
DB-OPxx-1500	25-30 W/M	90 lm/w	3000K/4000K/5000K	AC180-264V /110-277V	>0.9	110°
DB-OPxx-1800	25-30 W/M	90 lm/w	3000K/4000K/5000K	AC180-264V /110-277V	>0.9	110°
DB-OPxx-2100	25-30 W/M	90 lm/w	3000K/4000K/5000K	AC180-264V /110-277V	>0.9	110°
DB-OPxx-2400	25-30 W/M	90 lm/w	3000K/4000K/5000K	AC180-264V /110-277V	>0.9	110°



Brighten your life



# LED LINEAR RECTANGLE SERIES

# DIRECT LED SQUARE & RECTANGLE

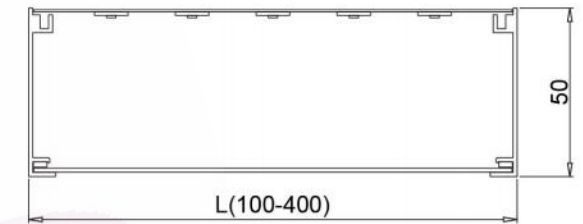


### FEATURES

- Square Rectangle surface or pendant LED luminaire.
- High Quality extruded 6063 aluminum profile.
- Opal PMMA diffuser.
- Emergency back up and sensor optional also available.
- Brand BOKE driver with 5 years warranty.
- 0-10V/1-10V;Dali;Traic dimming are available.
- Different Custom Diameter & Colour available.

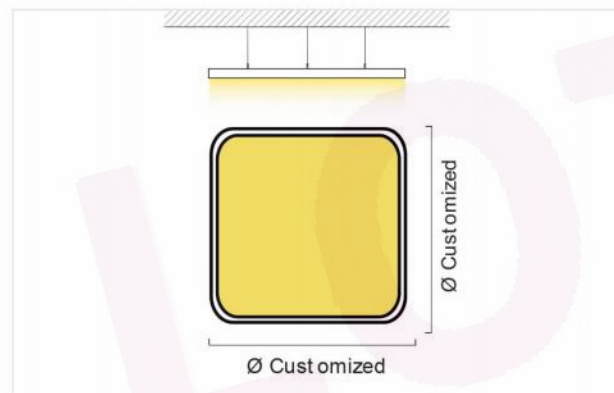
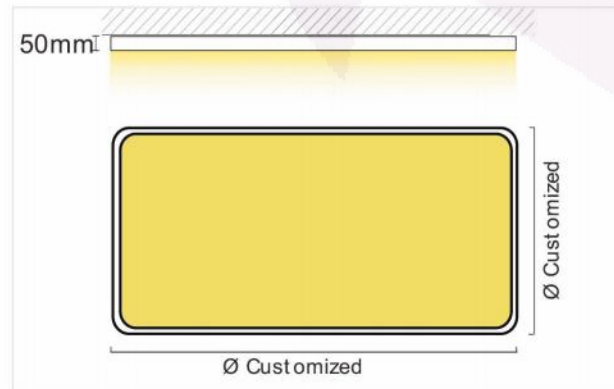
### DIMENSIONS

Diameter	Width	Height
Φ4ft/Φ47"/Φ1200mm	100/150/200/300mm	50mm
Φ5ft/Φ59"/Φ1500mm	100/150/200/300mm	50mm
Φ6ft/Φ71"/Φ1800mm	100/150/200/300mm	50mm
Φ6.6ft/Φ79"/Φ2000mm	100/150/200/300mm	50mm
Customized	Customized	50mm



#### Colour:

- Sand black
- Sand white
- Wood grain
- Matte black
- Matte white
- Silver



### SPECIFICATION

Model	Power	Efficacy	CCT	Input Voltage	PF	Beam Angle
DB-OPxx-Φ1200	25-30 W/M	90 lm/w	3000K/4000K/5000K	AC180-264V /110-277V	>0.9	110°
DB-OPxx-Φ1500	25-30 W/M	90 lm/w	3000K/4000K/5000K	AC180-264V /110-277V	>0.9	110°
DB-OPxx-Φ1800	25-30 W/M	90 lm/w	3000K/4000K/5000K	AC180-264V /110-277V	>0.9	110°
DB-OPxx-Φ2000	25-30 W/M	90 lm/w	3000K/4000K/5000K	AC180-264V /110-277V	>0.9	110°



Brighten your life, with LOTOPUP

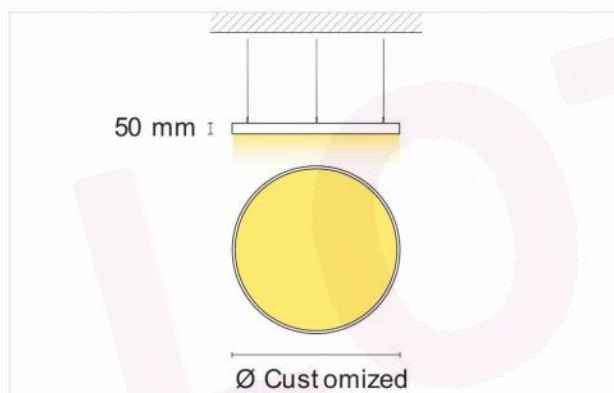
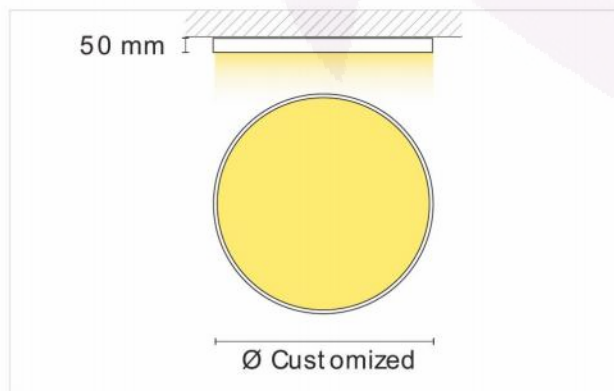


# LED LINEAR ROUND SERIES



**Colour:**

- Sand black
- Sand white
- Wood grain
- Matte black
- Matte white
- Silver



# DIRECT LED CIRCULAR

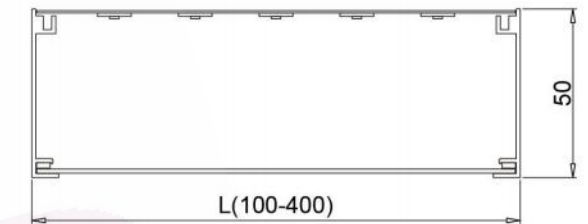


## FEATURES

- Circular surface or pendant LED luminaire.
- High Quality extruded 6063 aluminum profile.
- Opal PMMA diffuser.
- Emergency back up and sensor optional also available.
- Brand BOKE driver with 5 years warranty.
- 0-10V/1-10V;Dali;Traic dimming are available.
- Different Custom Diameter & Colour available.

## DIMENSIONS

Diameter	Height
Φ1.6ft/Φ20"/Φ500mm	50mm
Φ2ft/Φ24"/Φ600mm	50mm
Φ2.6ft/Φ31"/Φ800mm	50mm
Φ4ft/Φ47"/Φ1200mm	50mm
Customized	50mm



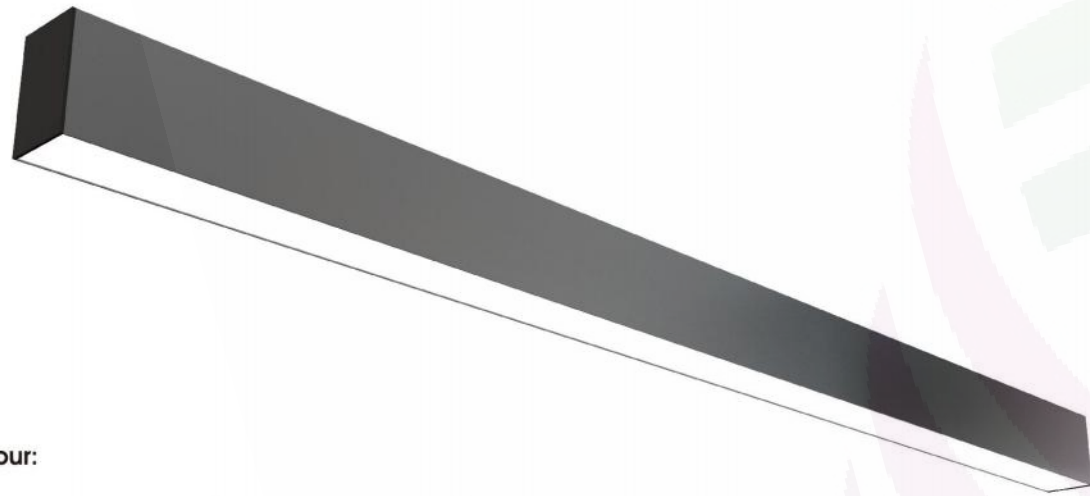
## SPECIFICATION

Model	Power	Efficacy	CCT	Input Voltage	PF	Beam Angle
DB-OPxx-Φ500	25-30 W/M	90 lm/w	3000K/4000K/5000K	AC180-264V /110-277V	>0.9	110°
DB-OPxx-Φ600	25-30 W/M	90 lm/w	3000K/4000K/5000K	AC180-264V /110-277V	>0.9	110°
DB-OPxx-Φ800	25-30 W/M	90 lm/w	3000K/4000K/5000K	AC180-264V /110-277V	>0.9	110°
DB-OPxx-Φ1200	25-30 W/M	90 lm/w	3000K/4000K/5000K	AC180-264V /110-277V	>0.9	110°



Brighten your life, www.tracklinearligh.com

# LED LINEAR ECONOMIC SERIES



**Colour:**

- Sand black
- Sand white
- Wood grain
- Matte black
- Matte white
- Silver



# DIRECT LED LINEAR

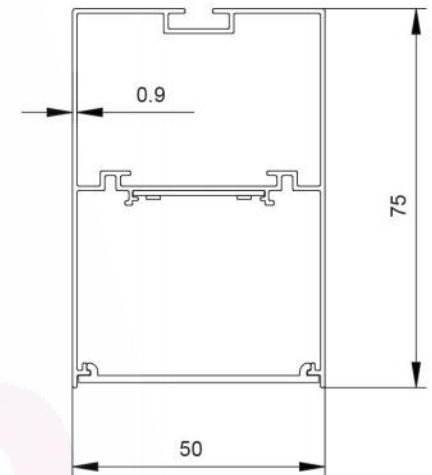


## FEATURES

- Up to 100 lm/w, CRI>80 or CRI>90.
- High-quality extrusion 0.9mm 6063 aluminum profile.
- No screw design with end cap.
- 0-10V/1-10V;Dali;Traic dimming are available.
- Emergency back up and sensor optional also available.
- Brand BOKE driver with 5 years warranty.

## DIMENSIONS

Length	Width	Height
4ft/47"/1200mm	1.97"/50mm	2.95"/75mm
5ft/59"/1500mm	1.97"/50mm	2.95"/75mm
6ft/71"/1800mm	1.97"/50mm	2.95"/75mm
8ft/94"/2400mm	1.97"/50mm	2.95"/75mm



## SPECIFICATION

Model	Power	Luminous	Efficacy	CCT	Input Voltage	PF	Beam Angle
DB-OP5075A-xx	20W	2000 lm	100 lm/w	3000K/4000K/5000K	AC180-264V /110-277V	>0.9	110°
DB-OP5075A-xx	30W	3000 lm	100 lm/w	3000K/4000K/5000K	AC180-264V /110-277V	>0.9	110°
DB-OP5075A-xx	40W	4000 lm	100 lm/w	3000K/4000K/5000K	AC180-264V /110-277V	>0.9	110°
DB-OP5075A-xx	50W	5000 lm	100 lm/w	3000K/4000K/5000K	AC180-264V /110-277V	>0.9	110°
DB-OP5075A-xx	60W	6000 lm	100 lm/w	3000K/4000K/5000K	AC180-264V /110-277V	>0.9	110°

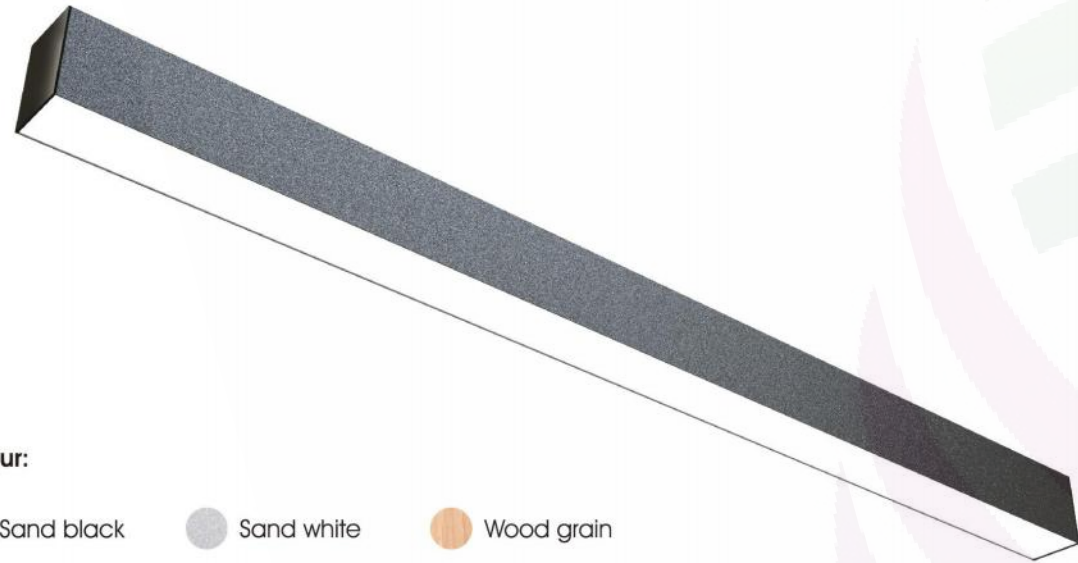


Brighten your life



# LED LINEAR ECONOMIC SERIES

# DIRECT LED LINEAR

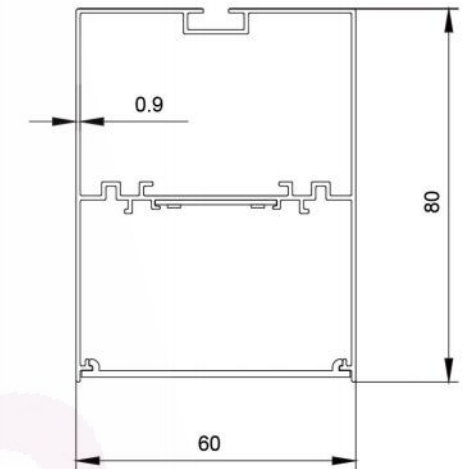


### FEATURES

- Up to 100 lm/w, CRI>80 or CRI>90.
- High-quality extrusion 0.9mm 6063 aluminum profile.
- No screw design with end cap.
- 0-10V/1-10V;Dali;Traic dimming are available.
- Emergency back up and sensor optional also available.
- Brand BOKE driver with 5 years warranty.

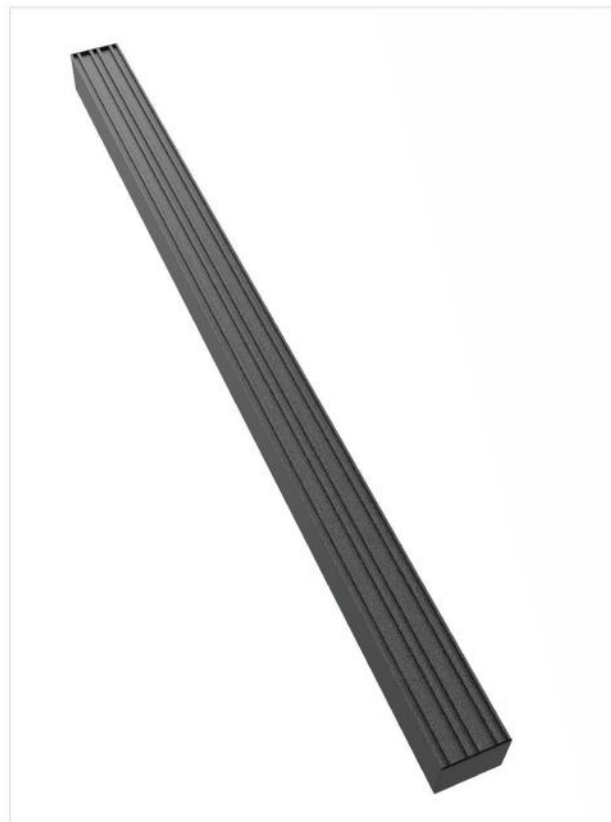
### DIMENSIONS

Length	Width	Height
4ft/47"/1200mm	2.36"/60mm	3.15"/80mm
5ft/59"/1500mm	2.36"/60mm	3.15"/80mm
6ft/71"/1800mm	2.36"/60mm	3.15"/80mm
8ft/94"/2400mm	2.36"/60mm	3.15"/80mm



#### Colour:

- Sand black
- Sand white
- Wood grain
- Matte black
- Matte white
- Silver



### SPECIFICATION

Model	Power	Luminous	Efficacy	CCT	Input Voltage	PF	Beam Angle
DB-OP6080A-xx	20W	2000 lm	100 lm/w	3000K/4000K/5000K	AC180-264V /110-277V	>0.9	110°
DB-OP6080A-xx	30W	3000 lm	100 lm/w	3000K/4000K/5000K	AC180-264V /110-277V	>0.9	110°
DB-OP6080A-xx	40W	4000 lm	100 lm/w	3000K/4000K/5000K	AC180-264V /110-277V	>0.9	110°
DB-OP6080A-xx	50W	5000 lm	100 lm/w	3000K/4000K/5000K	AC180-264V /110-277V	>0.9	110°
DB-OP6080A-xx	60W	6000 lm	100 lm/w	3000K/4000K/5000K	AC180-264V /110-277V	>0.9	110°



Brighten your life

# LED LINEAR ECONOMIC SERIES

# DIRECT LED LINEAR

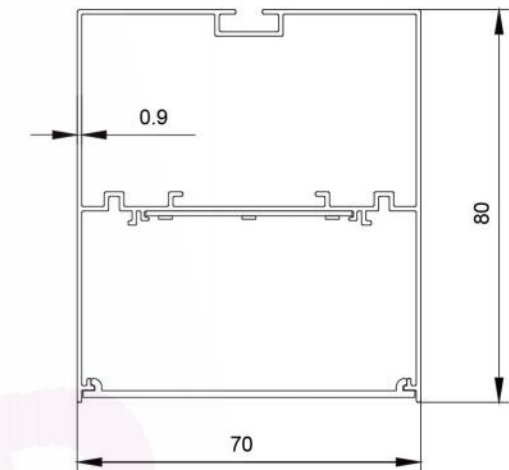


## FEATURES

- Up to 100 lm/w, CRI>80 or CRI>90.
- High-quality extrusion 0.9mm 6063 aluminum profile.
- No screw design with end cap.
- 0-10V/1-10V;Dali;Traic dimming are available.
- Emergency back up and sensor optional also available.
- Brand BOKE driver with 5 years warranty.

## DIMENSIONS

Length	Width	Height
4ft/47"/1200mm	2.76"/70mm	3.15"/80mm
5ft/59"/1500mm	2.76"/70mm	3.15"/80mm
6ft/71"/1800mm	2.76"/70mm	3.15"/80mm
8ft/94"/2400mm	2.76"/70mm	3.15"/80mm



### Colour:

- Sand black
- Sand white
- Wood grain
- Matte black
- Matte white
- Silver



## SPECIFICATION

Model	Power	Luminous	Efficacy	CCT	Input Voltage	PF	Beam Angle
DB-OP7080A-xx	20W	2000 lm	100 lm/w	3000K/4000K/5000K	AC180-264V /110-277V	>0.9	110°
DB-OP7080A-xx	30W	3000 lm	100 lm/w	3000K/4000K/5000K	AC180-264V /110-277V	>0.9	110°
DB-OP7080A-xx	40W	4000 lm	100 lm/w	3000K/4000K/5000K	AC180-264V /110-277V	>0.9	110°
DB-OP7080A-xx	50W	5000 lm	100 lm/w	3000K/4000K/5000K	AC180-264V /110-277V	>0.9	110°
DB-OP7080A-xx	60W	6000 lm	100 lm/w	3000K/4000K/5000K	AC180-264V /110-277V	>0.9	110°

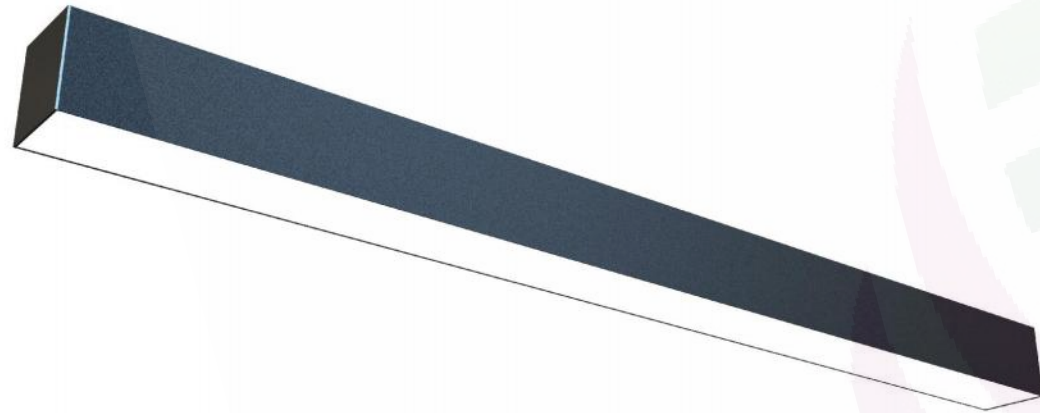


Brighten your life



# LED LINEAR ECONOMIC SERIES

# DIRECT LED LINEAR



### FEATURES

- Up to 100 lm/w, CRI>80 or CRI>90.
- High-quality extrusion 0.9mm 6063 aluminum profile.
- No screw design with end cap.
- 0-10V/1-10V;Dali;Traic dimming are available.
- Emergency back up and sensor optional also available.
- Brand BOKE driver with 5 years warranty.

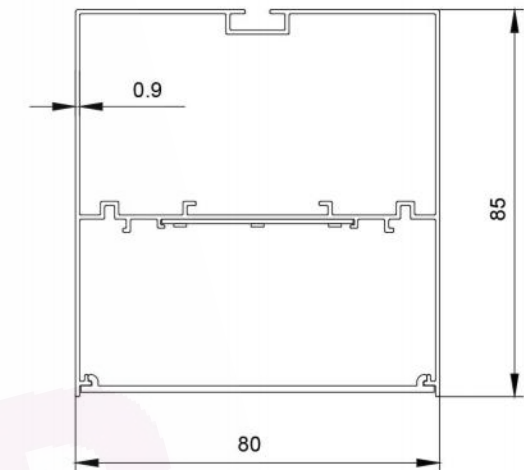


Colour:

- Sand black
- Sand white
- Wood grain
- Matte black
- Matte white
- Silver

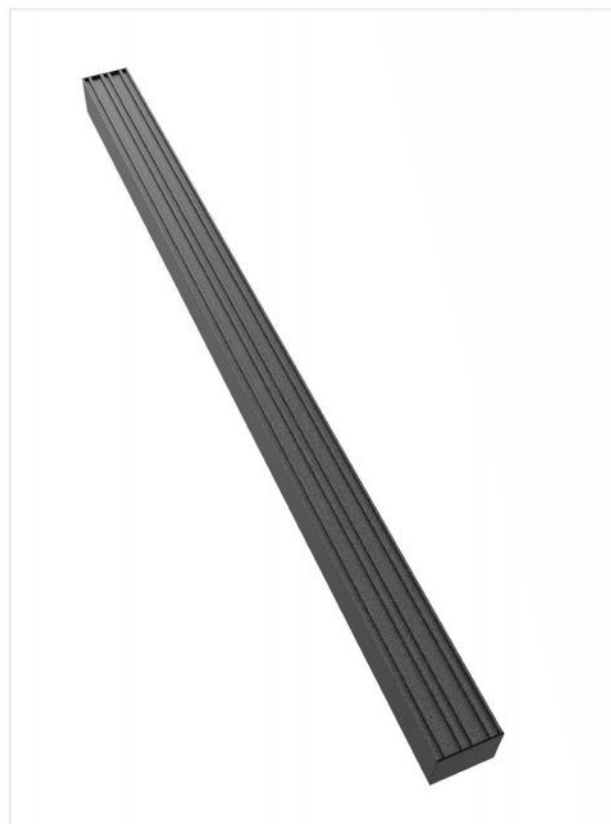
### DIMENSIONS

Length	Width	Height
4ft/47"/1200mm	3.15"/80mm	3.35"/85mm
5ft/59"/1500mm	3.15"/80mm	3.35"/85mm
6ft/71"/1800mm	3.15"/80mm	3.35"/85mm
8ft/94"/2400mm	3.15"/80mm	3.35"/85mm



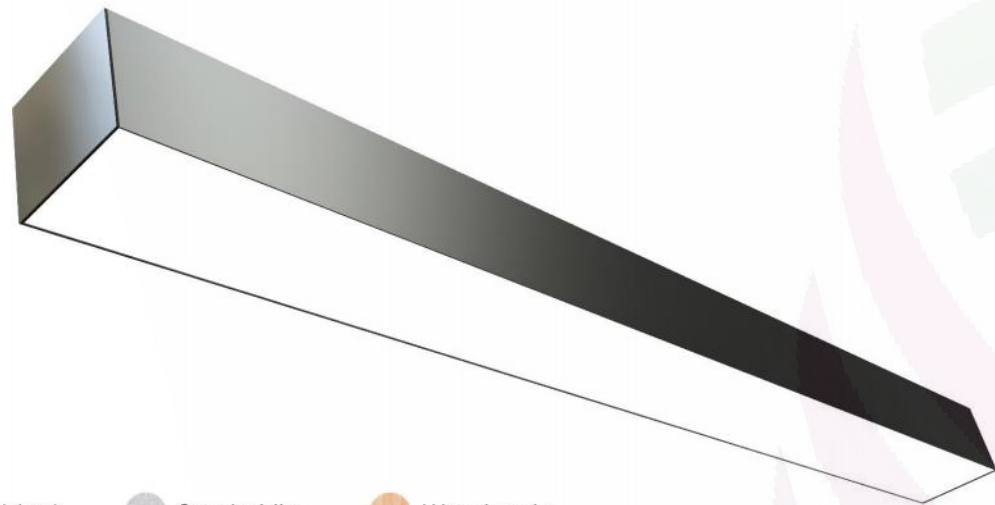
### SPECIFICATION

Model	Power	Luminous	Efficacy	CCT	Input Voltage	PF	Beam Angle
DB-OP8085A-xx	20W	2000 lm	100 lm/w	3000K/4000K/5000K	AC180-264V /110-277V	>0.9	110°
DB-OP8085A-xx	30W	3000 lm	100 lm/w	3000K/4000K/5000K	AC180-264V /110-277V	>0.9	110°
DB-OP8085A-xx	40W	4000 lm	100 lm/w	3000K/4000K/5000K	AC180-264V /110-277V	>0.9	110°
DB-OP8085A-xx	50W	5000 lm	100 lm/w	3000K/4000K/5000K	AC180-264V /110-277V	>0.9	110°
DB-OP8085A-xx	60W	6000 lm	100 lm/w	3000K/4000K/5000K	AC180-264V /110-277V	>0.9	110°



Brighten your life

# LED LINEAR ECONOMIC SERIES



**Colour:**

- Sand black
- Sand white
- Wood grain
- Matte black
- Matte white
- Silver



# DIRECT LED LINEAR

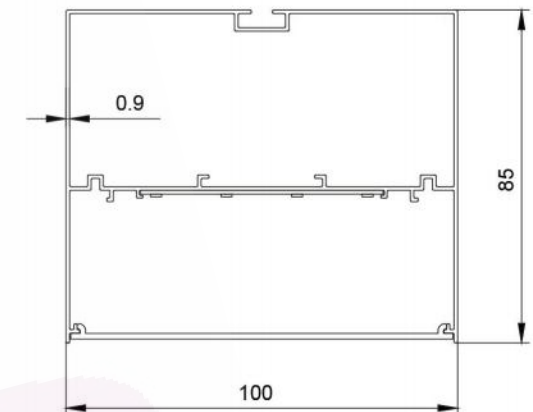


## FEATURES

- Up to 100 lm/w, CRI>80 or CRI>90.
- High-quality extrusion 0.9mm 6063 aluminum profile.
- No screw design with end cap.
- 0-10V/1-10V;Dali;Traic dimming are available.
- Emergency back up and sensor optional also available.
- Brand BOKE driver with 5 years warranty.

## DIMENSIONS

Length	Width	Height
4ft/47"/1200mm	3.94"/100mm	3.35"/85mm
5ft/59"/1500mm	3.94"/100mm	3.35"/85mm
6ft/71"/1800mm	3.94"/100mm	3.35"/85mm
8ft/94"/2400mm	3.94"/100mm	3.35"/85mm



## SPECIFICATION

Model	Power	Luminous	Efficacy	CCT	Input Voltage	PF	Beam Angle
DB-OP10085A-xx	20W	2000 lm	100 lm/w	3000K/4000K/5000K	AC180-264V /110-277V	>0.9	110°
DB-OP10085A-xx	30W	3000 lm	100 lm/w	3000K/4000K/5000K	AC180-264V /110-277V	>0.9	110°
DB-OP10085A-xx	40W	4000 lm	100 lm/w	3000K/4000K/5000K	AC180-264V /110-277V	>0.9	110°
DB-OP10085A-xx	50W	5000 lm	100 lm/w	3000K/4000K/5000K	AC180-264V /110-277V	>0.9	110°
DB-OP10085A-xx	60W	6000 lm	100 lm/w	3000K/4000K/5000K	AC180-264V /110-277V	>0.9	110°



Brighten your life

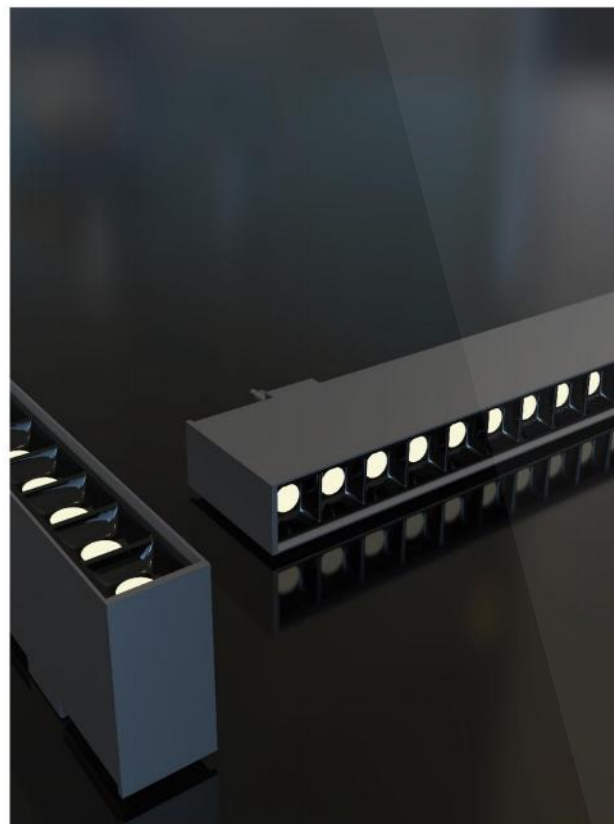


# LED LINEAR NORMAL SERIES



**Colour:**

- Sand black
- Sand white
- Wood grain
- Matte black
- Matte white
- Silver



# DIRECT LED LINEAR

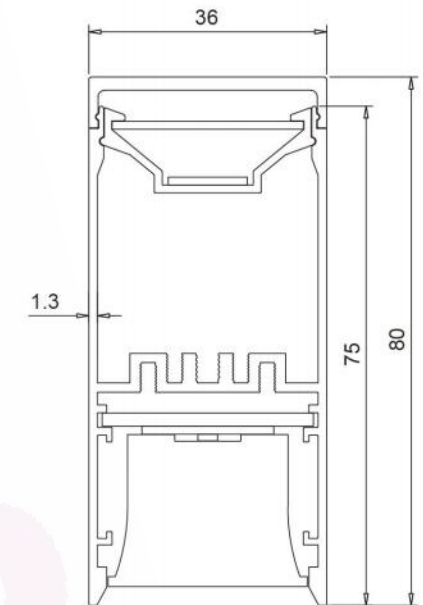


## FEATURES

- Up to 100 lm/w, CRI>80 or CRI>90.
- High-quality extrusion 1.3mm 6063 aluminum profile.
- No screw design with end cap.
- 0-10V/1-10V;Dali;Traic dimming are available.
- Emergency back up and sensor optional also available.
- Brand BOKE driver with 5 years warranty.

## DIMENSIONS

Length	Width	Height
4ft/47"/1200mm	1.42"/36mm	2.95"/75mm
5ft/59"/1500mm	1.42"/36mm	2.95"/75mm
6ft/71"/1800mm	1.42"/36mm	2.95"/75mm
8ft/94"/2400mm	1.42"/36mm	2.95"/75mm



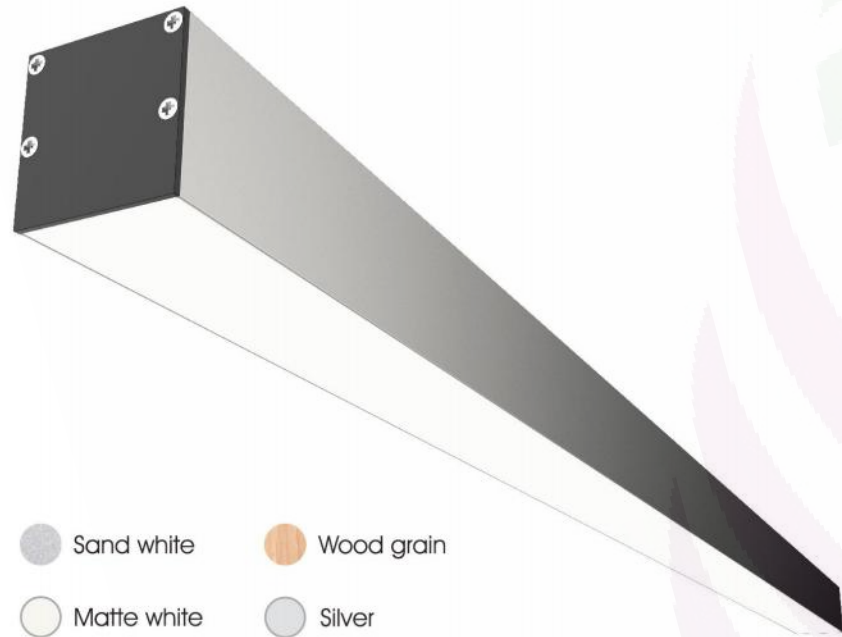
## SPECIFICATION

Model	Power	Luminous	Efficacy	CCT	Input Voltage	PF	Beam Angle
DB-OP3675-xx	20W	2000 lm	100 lm/w	3000K/4000K/5000K	AC180-264V /110-277V	>0.9	110°
DB-OP3675-xx	30W	3000 lm	100 lm/w	3000K/4000K/5000K	AC180-264V /110-277V	>0.9	110°
DB-OP3675-xx	40W	4000 lm	100 lm/w	3000K/4000K/5000K	AC180-264V /110-277V	>0.9	110°
DB-OP3675-xx	50W	5000 lm	100 lm/w	3000K/4000K/5000K	AC180-264V /110-277V	>0.9	110°
DB-OP3675-xx	60W	6000 lm	100 lm/w	3000K/4000K/5000K	AC180-264V /110-277V	>0.9	110°



Brighten your life

# LED LINEAR NORMAL SERIES



**Colour:**

- Sand black
- Sand white
- Wood grain
- Matte black
- Matte white
- Silver



# DIRECT LED LINEAR

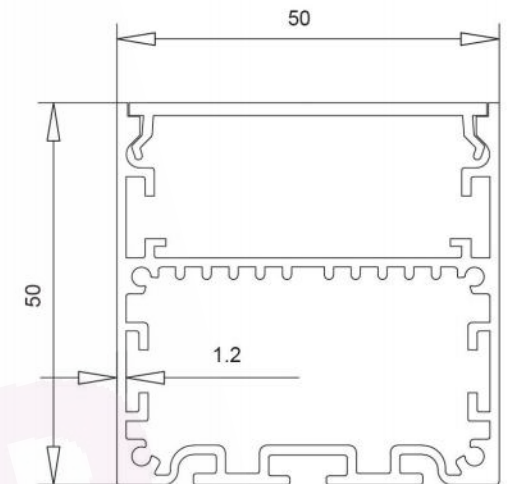


## FEATURES

- Up to 100 lm/w, CRI>80 or CRI>90.
- High-quality extrusion 1.2mm 6063 aluminum profile.
- No screw design with end cap.
- 0-10V/1-10V;Dali;Traic dimming are available.
- Emergency back up and sensor optional also available.
- Brand BOKE driver with 5 years warranty.

## DIMENSIONS

Length	Width	Height
4ft/47"/1200mm	1.97"/50mm	1.97"/50mm
5ft/59"/1500mm	1.97"/50mm	1.97"/50mm
6ft/71"/1800mm	1.97"/50mm	1.97"/50mm
8ft/94"/2400mm	1.97"/50mm	1.97"/50mm



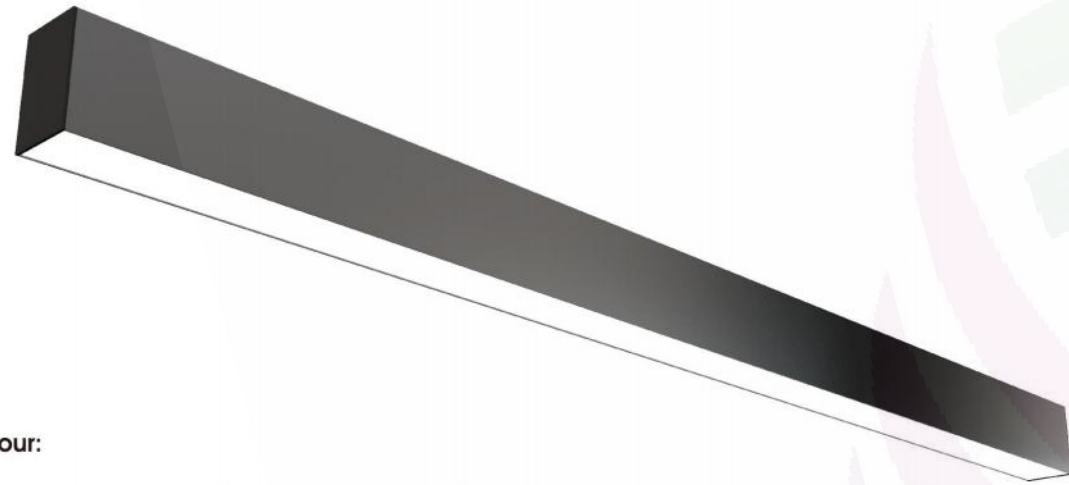
## SPECIFICATION

Model	Power	Luminous	Efficacy	CCT	Input Voltage	PF	Beam Angle
DB-OP5050-xx	20W	2000 lm	100 lm/w	3000K/4000K/5000K	AC180-264V /110-277V	>0.9	110°
DB-OP5050-xx	30W	3000 lm	100 lm/w	3000K/4000K/5000K	AC180-264V /110-277V	>0.9	110°
DB-OP5050-xx	40W	4000 lm	100 lm/w	3000K/4000K/5000K	AC180-264V /110-277V	>0.9	110°
DB-OP5050-xx	50W	5000 lm	100 lm/w	3000K/4000K/5000K	AC180-264V /110-277V	>0.9	110°
DB-OP5050-xx	60W	6000 lm	100 lm/w	3000K/4000K/5000K	AC180-264V /110-277V	>0.9	110°

Brighten your life



# LED LINEAR NORMAL SERIES



**Colour:**

- Sand black
- Sand white
- Wood grain
- Matte black
- Matte white
- Silver



# DIRECT LED LINEAR

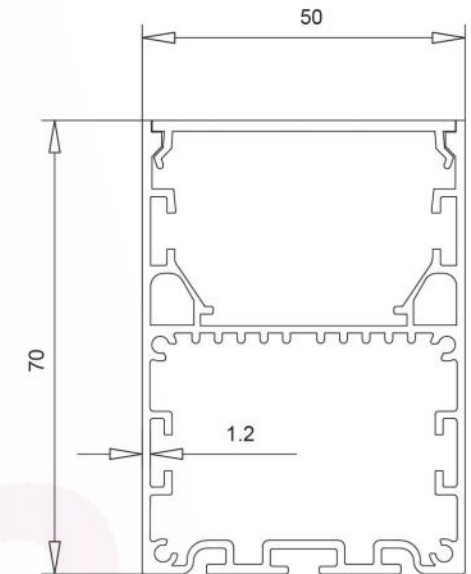


## FEATURES

- Up to 100 lm/w, CRI>80 or CRI>90.
- High-quality extrusion 1.2mm 6063 aluminum profile.
- No screw design with end cap.
- 0-10V/1-10V;Dali;Traic dimming are available.
- Emergency back up and sensor optional also available.
- Brand BOKE driver with 5 years warranty.

## DIMENSIONS

Length	Width	Height
4ft/47"/1200mm	1.97"/50mm	2.76"/70mm
5ft/59"/1500mm	1.97"/50mm	2.76"/70mm
6ft/71"/1800mm	1.97"/50mm	2.76"/70mm
8ft/94"/2400mm	1.97"/50mm	2.76"/70mm



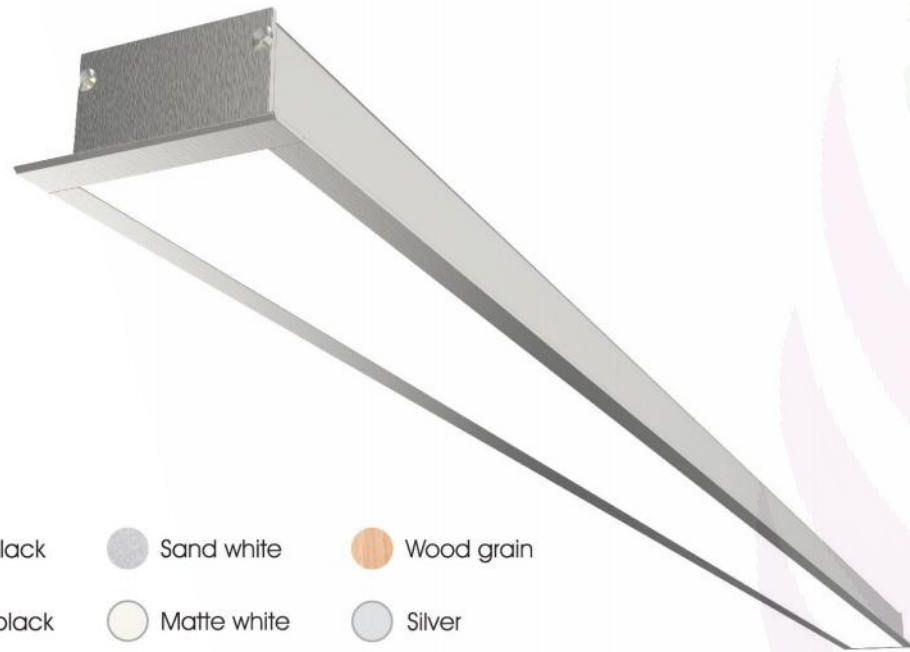
## SPECIFICATION

Model	Power	Luminous	Efficary	CCT	Input Voltage	PF	Beam Angle
DB-OP5070-xx	20W	2000 lm	100 lm/w	3000K/4000K/5000K	AC180-264V /110-277V	>0.9	110°
DB-OP5070-xx	30W	3000 lm	100 lm/w	3000K/4000K/5000K	AC180-264V /110-277V	>0.9	110°
DB-OP5070-xx	40W	4000 lm	100 lm/w	3000K/4000K/5000K	AC180-264V /110-277V	>0.9	110°
DB-OP5070-xx	50W	5000 lm	100 lm/w	3000K/4000K/5000K	AC180-264V /110-277V	>0.9	110°
DB-OP5070-xx	60W	6000 lm	100 lm/w	3000K/4000K/5000K	AC180-264V /110-277V	>0.9	110°



Brighten your life

# LED LINEAR NORMAL SERIES



**Colour:**

- Sand black
- Sand white
- Wood grain
- Matte black
- Matte white
- Silver



# DIRECT LED LINEAR

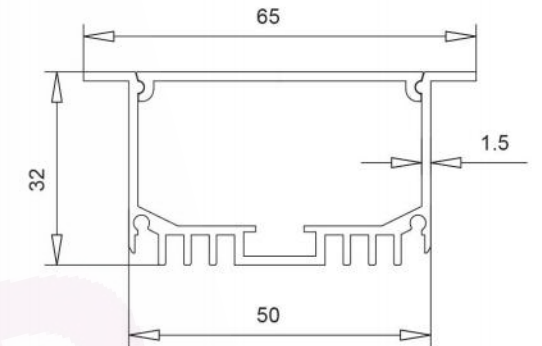


## FEATURES

- Up to 100 lm/w, CRI>80 or CRI>90.
- High-quality extrusion 1.5m 6063 aluminum profile.
- No screw design with end cap.
- 0-10V/1-10V;Dali;Traic dimming are available.
- Emergency back up and sensor optional also available.
- Brand BOKE driver with 5 years warranty.

## DIMENSIONS

Length	Width	Height
4ft/47"/1200mm	2.56"/65mm	1.26"/32mm
5ft/59"/1500mm	2.56"/65mm	1.26"/32mm
6ft/71"/1800mm	2.56"/65mm	1.26"/32mm
8ft/94"/2400mm	2.56"/65mm	1.26"/32mm



## SPECIFICATION

Model	Power	Luminous	Efficacy	CCT	Input Voltage	PF	Beam Angle
DB-OP6532-xx	20W	2000 lm	100 lm/w	3000K/4000K/5000K	AC180-264V /110-277V	>0.9	110°
DB-OP6532-xx	30W	3000 lm	100 lm/w	3000K/4000K/5000K	AC180-264V /110-277V	>0.9	110°
DB-OP6532-xx	40W	4000 lm	100 lm/w	3000K/4000K/5000K	AC180-264V /110-277V	>0.9	110°
DB-OP6532-xx	50W	5000 lm	100 lm/w	3000K/4000K/5000K	AC180-264V /110-277V	>0.9	110°
DB-OP6532-xx	60W	6000 lm	100 lm/w	3000K/4000K/5000K	AC180-264V /110-277V	>0.9	110°



Brighten your life

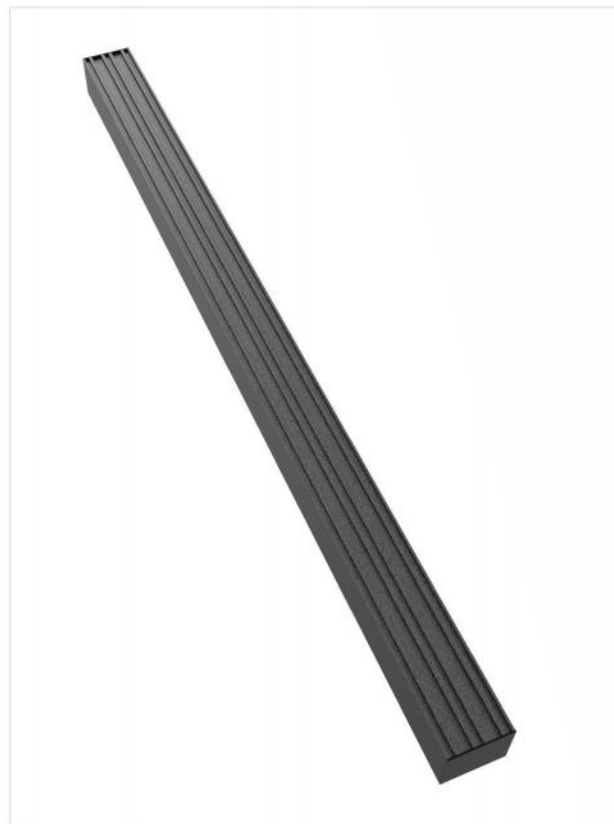


# LED LINEAR NORMAL SERIES



**Colour:**

- Sand black
- Sand white
- Wood grain
- Matte black
- Matte white
- Silver



# DIRECT LED LINEAR

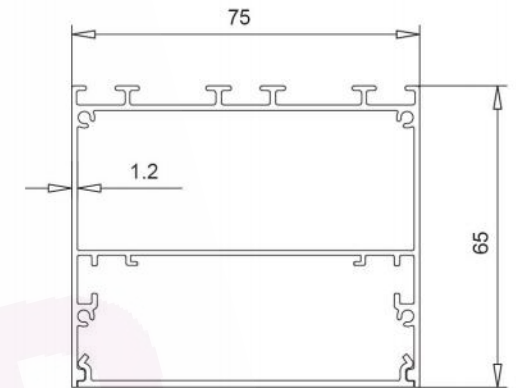


## FEATURES

- Up to 100 lm/w, CRI>80 or CRI>90.
- High-quality extrusion 1.2mm 6063 aluminum profile.
- No screw design with end cap.
- 0-10V/1-10V;Dali;Traic dimming are available.
- Emergency back up and sensor optional also available.
- Brand BOKE driver with 5 years warranty.

## DIMENSIONS

Length	Width	Height
4ft/47"/1200mm	2.95"/75mm	2.56"/65mm
5ft/59"/1500mm	2.95"/75mm	2.56"/65mm
6ft/71"/1800mm	2.95"/75mm	2.56"/65mm
8ft/94"/2400mm	2.95"/75mm	2.56"/65mm



## SPECIFICATION

Model	Power	Luminous	Efficacy	CCT	Input Voltage	PF	Beam Angle
DB-OP7565-xx	20W	2000 lm	100 lm/w	3000K/4000K/5000K	AC180-264V /110-277V	>0.9	110°
DB-OP7565-xx	30W	3000 lm	100 lm/w	3000K/4000K/5000K	AC180-264V /110-277V	>0.9	110°
DB-OP7565-xx	40W	4000 lm	100 lm/w	3000K/4000K/5000K	AC180-264V /110-277V	>0.9	110°
DB-OP7565-xx	50W	5000 lm	100 lm/w	3000K/4000K/5000K	AC180-264V /110-277V	>0.9	110°
DB-OP7565-xx	60W	6000 lm	100 lm/w	3000K/4000K/5000K	AC180-264V /110-277V	>0.9	110°



# LED LINEAR NORMAL SERIES



**Colour:**

- Sand black
- Sand white
- Wood grain
- Matte black
- Matte white
- Silver



# DIRECT LED LINEAR

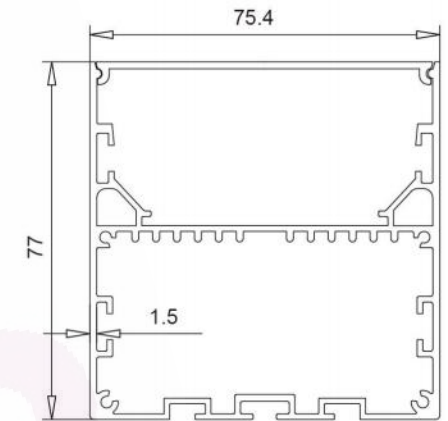


## FEATURES

- Up to 100 lm/w, CRI>80 or CRI>90.
- High-quality extrusion 1.5mm 6063 aluminum profile.
- No screw design with end cap.
- 0-10V/1-10V;Dali;Traic dimming are available.
- Emergency back up and sensor optional also available.
- Brand BOKE driver with 5 years warranty.

## DIMENSIONS

Length	Width	Height
4ft/47"/1200mm	2.95"/75mm	3.03"/77mm
5ft/59"/1500mm	2.95"/75mm	3.03"/77mm
6ft/71"/1800mm	2.95"/75mm	3.03"/77mm
8ft/94"/2400mm	2.95"/75mm	3.03"/77mm



## SPECIFICATION

Model	Power	Luminous	Efficacy	CCT	Input Voltage	PF	Beam Angle
DB-OP7577-xx	20W	2000 lm	100 lm/w	3000K/4000K/5000K	AC180-264V /110-277V	>0.9	110°
DB-OP7577-xx	30W	3000 lm	100 lm/w	3000K/4000K/5000K	AC180-264V /110-277V	>0.9	110°
DB-OP7577-xx	40W	4000 lm	100 lm/w	3000K/4000K/5000K	AC180-264V /110-277V	>0.9	110°
DB-OP7577-xx	50W	5000 lm	100 lm/w	3000K/4000K/5000K	AC180-264V /110-277V	>0.9	110°
DB-OP7577-xx	60W	6000 lm	100 lm/w	3000K/4000K/5000K	AC180-264V /110-277V	>0.9	110°



Brighten your life



# LED LINEAR NORMAL SERIES



**Colour:**

- Sand black
- Sand white
- Wood grain
- Matte black
- Matte white
- Silver

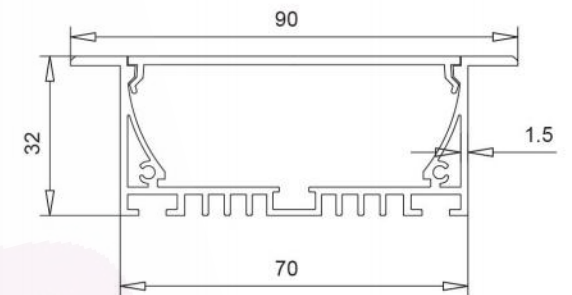


## FEATURES

- Up to 100 lm/w, CRI>80 or CRI>90.
- High-quality extrusion 1.5mm 6063 aluminum profile.
- No screw design with end cap.
- 0-10V/1-10V;Dali;Traic dimming are available.
- Emergency back up and sensor optional also available.
- Brand BOKE driver with 5 years warranty.

## DIMENSIONS

Length	Width	Height
4ft/47"/1200mm	3.54"/90mm	1.26"/32mm
5ft/59"/1500mm	3.54"/90mm	1.26"/32mm
6ft/71"/1800mm	3.54"/90mm	1.26"/32mm
8ft/94"/2400mm	3.54"/90mm	1.26"/32mm



## SPECIFICATION

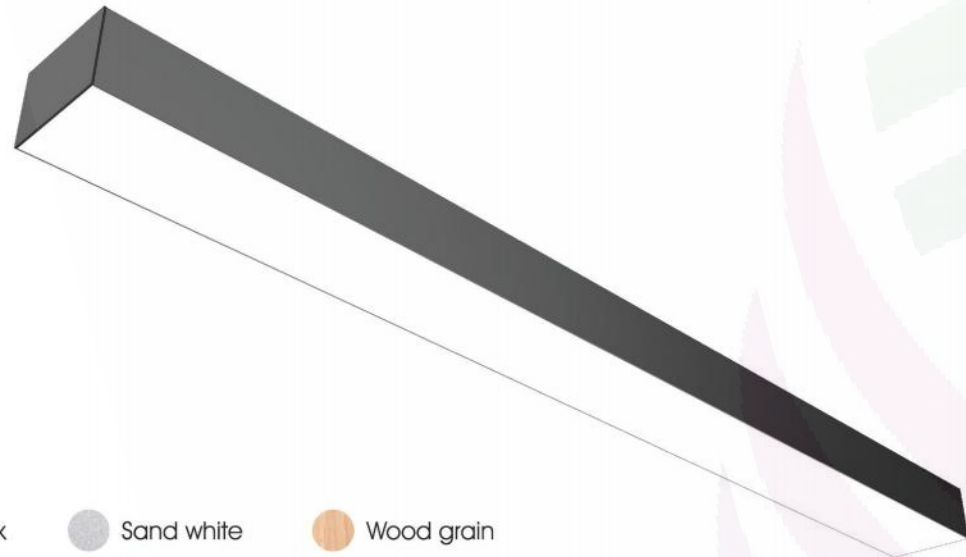
Model	Power	Luminous	Efficacy	CCT	Input Voltage	PF	Beam Angle
DB-OP9032-xx	20W	2000 lm	100 lm/w	3000K/4000K/5000K	AC180-264V /110-277V	>0.9	110°
DB-OP9032-xx	30W	3000 lm	100 lm/w	3000K/4000K/5000K	AC180-264V /110-277V	>0.9	110°
DB-OP9032-xx	40W	4000 lm	100 lm/w	3000K/4000K/5000K	AC180-264V /110-277V	>0.9	110°
DB-OP9032-xx	50W	5000 lm	100 lm/w	3000K/4000K/5000K	AC180-264V /110-277V	>0.9	110°
DB-OP9032-xx	60W	6000 lm	100 lm/w	3000K/4000K/5000K	AC180-264V /110-277V	>0.9	110°

# DIRECT LED LINEAR



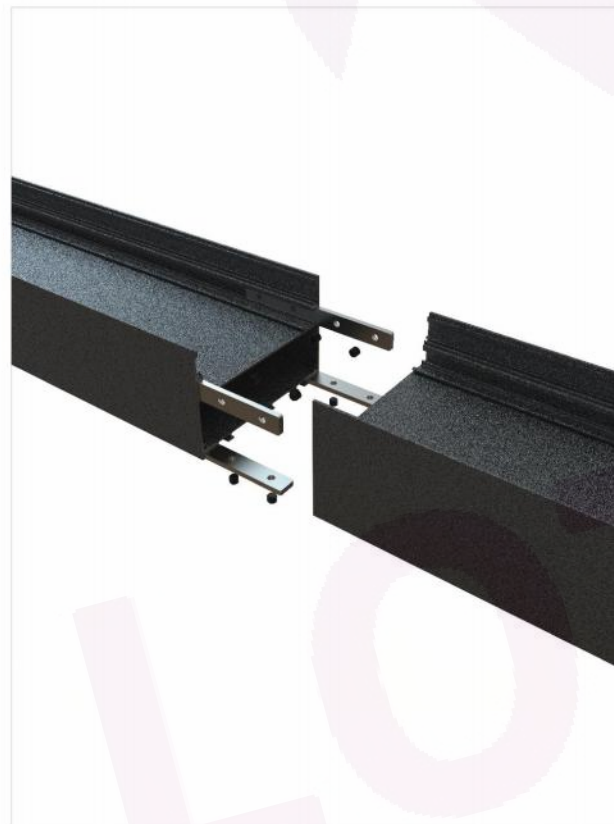
Brighten your life

# LED LINEAR NORMAL SERIES



**Colour:**

- Sand black
- Sand white
- Wood grain
- Matte black
- Matte white
- Silver



# DIRECT LED LINEAR

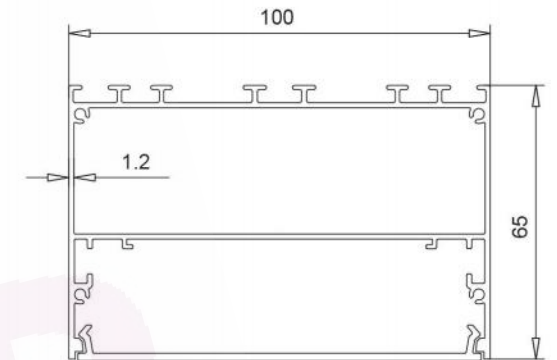


## FEATURES

- Up to 100 lm/w, CRI>80 or CRI>90.
- High-quality extrusion 1.2mm 6063 aluminum profile.
- No screw design with end cap.
- 0-10V/1-10V;Dali;Traic dimming are available.
- Emergency back up and sensor optional also available.
- Brand BOKE driver with 5 years warranty.

## DIMENSIONS

Length	Width	Height
4ft/47"/1200mm	3.94"/100mm	2.56"/65mm
5ft/59"/1500mm	3.94"/100mm	2.56"/65mm
6ft/71"/1800mm	3.94"/100mm	2.56"/65mm
8ft/94"/2400mm	3.94"/100mm	2.56"/65mm



## SPECIFICATION

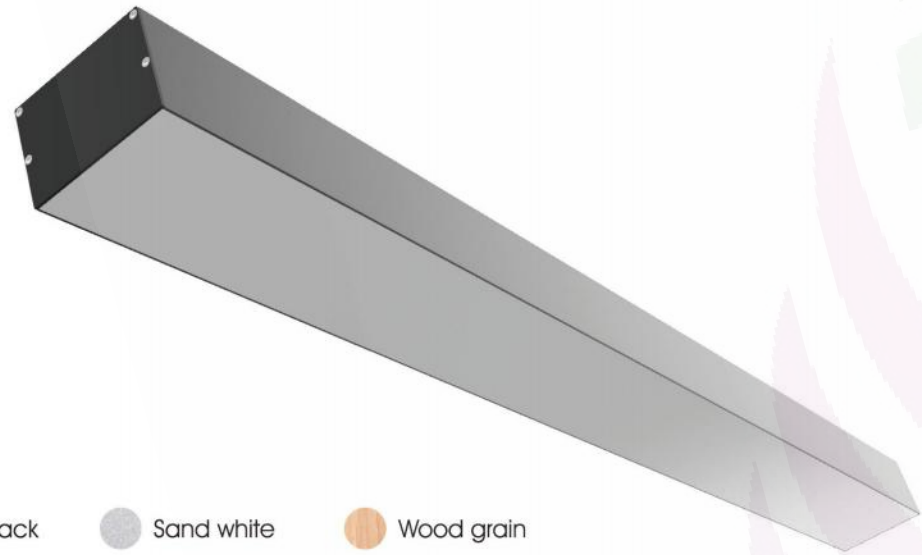
Model	Power	Luminous	Efficacy	CCT	Input Voltage	PF	Beam Angle
DB-OP10065-xx	20W	2000 lm	100 lm/w	3000K/4000K/5000K	AC180-264V /110-277V	>0.9	110°
DB-OP10065-xx	30W	3000 lm	100 lm/w	3000K/4000K/5000K	AC180-264V /110-277V	>0.9	110°
DB-OP10065-xx	40W	4000 lm	100 lm/w	3000K/4000K/5000K	AC180-264V /110-277V	>0.9	110°
DB-OP10065-xx	50W	5000 lm	100 lm/w	3000K/4000K/5000K	AC180-264V /110-277V	>0.9	110°
DB-OP10065-xx	60W	6000 lm	100 lm/w	3000K/4000K/5000K	AC180-264V /110-277V	>0.9	110°



Brighten your life

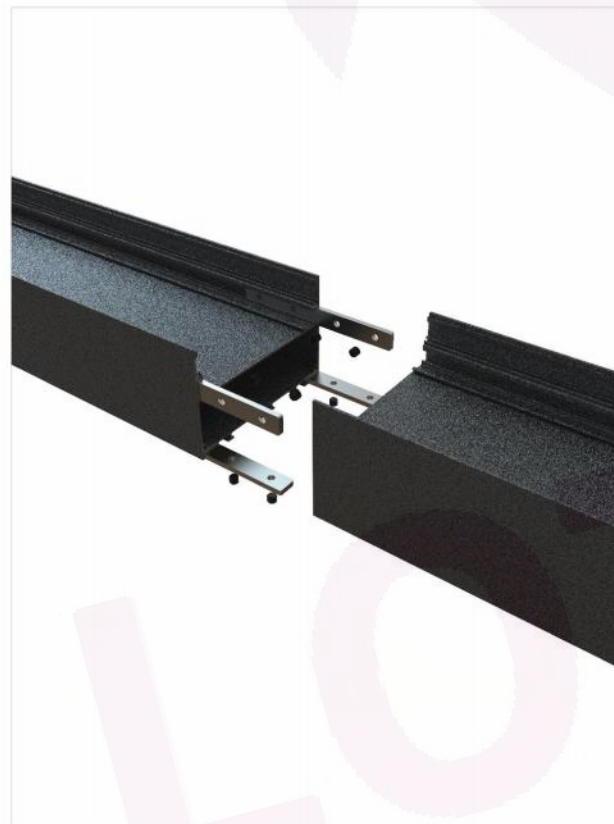


# LED LINEAR NORMAL SERIES



**Colour:**

- Sand black
- Sand white
- Wood grain
- Matte black
- Matte white
- Silver



# DIRECT LED LINEAR

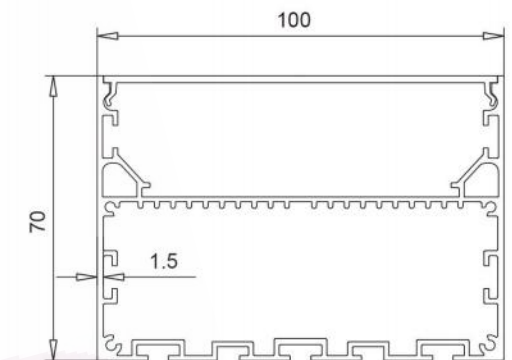


## FEATURES

- Up to 100 lm/w, CRI>80 or CRI>90.
- High-quality extrusion 1.5mm 6063 aluminum profile.
- No screw design with end cap.
- 0-10V/1-10V;Dali;Traic dimming are available.
- Emergency back up and sensor optional also available.
- Brand BOKE driver with 5 years warranty.

## DIMENSIONS

Length	Width	Height
4ft/47"/1200mm	3.94"/100mm	2.76"/70mm
5ft/59"/1500mm	3.94"/100mm	2.76"/70mm
6ft/71"/1800mm	3.94"/100mm	2.76"/70mm
8ft/94"/2400mm	3.94"/100mm	2.76"/70mm



## SPECIFICATION

Model	Power	Luminous	Efficacy	CCT	Input Voltage	PF	Beam Angle
DB-OP10070-xx	20W	2000 lm	100 lm/w	3000K/4000K/5000K	AC180-264V /110-277V	>0.9	110°
DB-OP10070-xx	30W	3000 lm	100 lm/w	3000K/4000K/5000K	AC180-264V /110-277V	>0.9	110°
DB-OP10070-xx	40W	4000 lm	100 lm/w	3000K/4000K/5000K	AC180-264V /110-277V	>0.9	110°
DB-OP10070-xx	50W	5000 lm	100 lm/w	3000K/4000K/5000K	AC180-264V /110-277V	>0.9	110°
DB-OP10070-xx	60W	6000 lm	100 lm/w	3000K/4000K/5000K	AC180-264V /110-277V	>0.9	110°



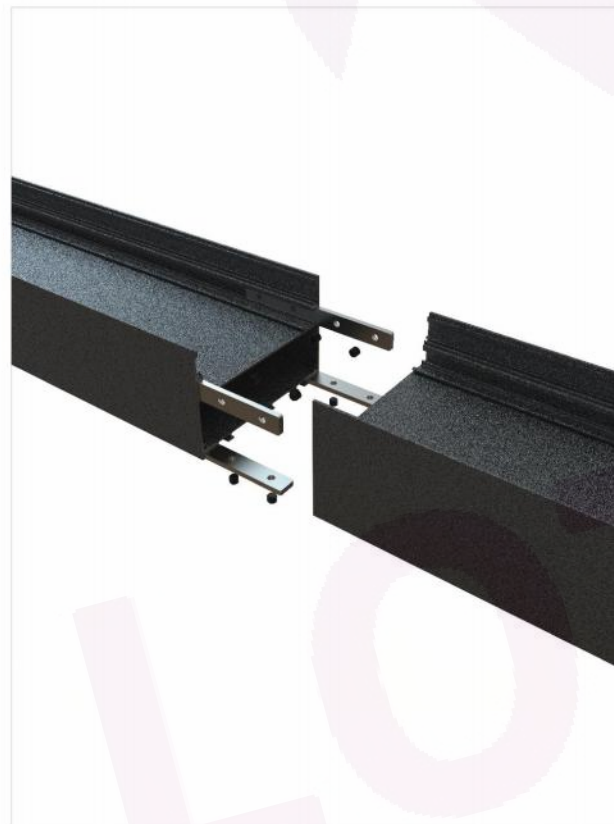
Brighten your life

# LED LINEAR NORMAL SERIES



**Colour:**

- Sand black
- Sand white
- Wood grain
- Matte black
- Matte white
- Silver



# DIRECT LED LINEAR

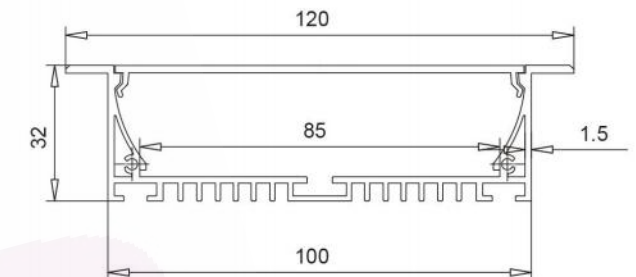


## FEATURES

- Up to 100 lm/w, CRI>80 or CRI>90.
- High-quality extrusion 1.5mm 6063 aluminum profile.
- No screw design with end cap.
- 0-10V/1-10V;Dali;Traic dimming are available.
- Emergency back up and sensor optional also available.
- Brand BOKE driver with 5 years warranty.

## DIMENSIONS

Length	Width	Height
4ft/47"/1200mm	4.72"/120mm	1.26"/32mm
5ft/59"/1500mm	4.72"/120mm	1.26"/32mm
6ft/71"/1800mm	4.72"/120mm	1.26"/32mm
8ft/94"/2400mm	4.72"/120mm	1.26"/32mm



## SPECIFICATION

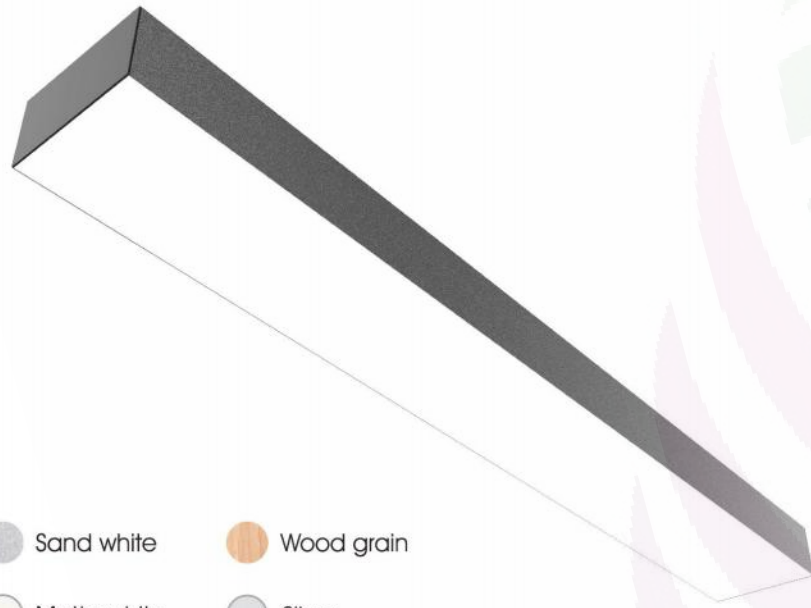
Model	Power	Luminous	Efficacy	CCT	Input Voltage	PF	Beam Angle
DB-OP12032-xx	20W	2000 lm	100 lm/w	3000K/4000K/5000K	AC180-264V /110-277V	>0.9	110°
DB-OP12032-xx	30W	3000 lm	100 lm/w	3000K/4000K/5000K	AC180-264V /110-277V	>0.9	110°
DB-OP12032-xx	40W	4000 lm	100 lm/w	3000K/4000K/5000K	AC180-264V /110-277V	>0.9	110°
DB-OP12032-xx	50W	5000 lm	100 lm/w	3000K/4000K/5000K	AC180-264V /110-277V	>0.9	110°
DB-OP12032-xx	60W	6000 lm	100 lm/w	3000K/4000K/5000K	AC180-264V /110-277V	>0.9	110°



Brighten your life

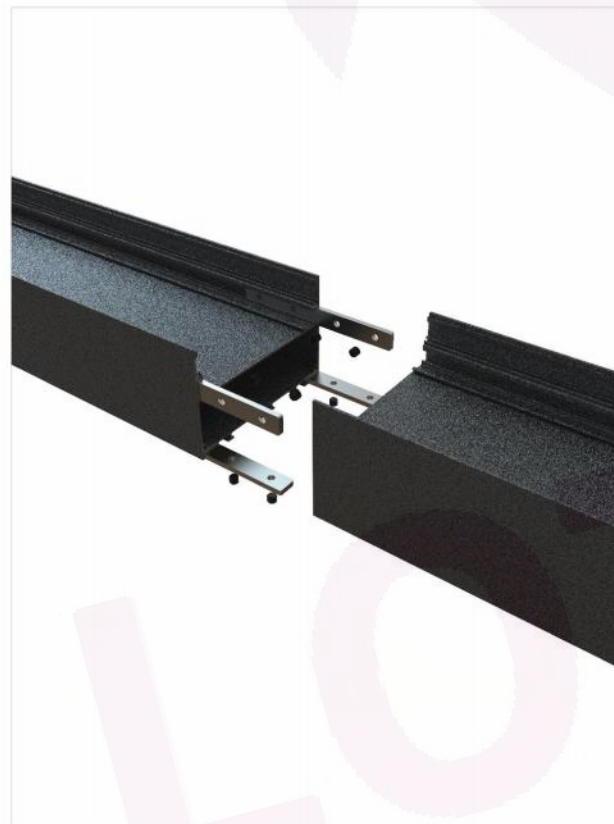


# LED LINEAR NORMAL SERIES



**Colour:**

- Sand black
- Sand white
- Wood grain
- Matte black
- Matte white
- Silver



# DIRECT LED LINEAR

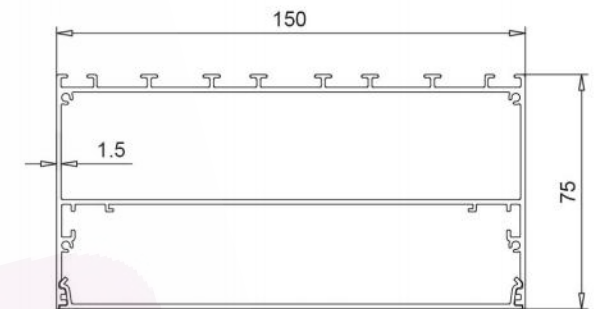


## FEATURES

- Up to 100 lm/w, CRI>80 or CRI>90.
- High-quality extrusion 1.5mm 6063 aluminum profile.
- No screw design with end cap.
- 0-10V/1-10V;Dali;Traic dimming are available.
- Emergency back up and sensor optional also available.
- Brand BOKE driver with 5 years warranty.

## DIMENSIONS

Length	Width	Height
4ft/47"/1200mm	5.91"/150mm	2.95"/75mm
5ft/59"/1500mm	5.91"/150mm	2.95"/75mm
6ft/71"/1800mm	5.91"/150mm	2.95"/75mm
8ft/94"/2400mm	5.91"/150mm	2.95"/75mm



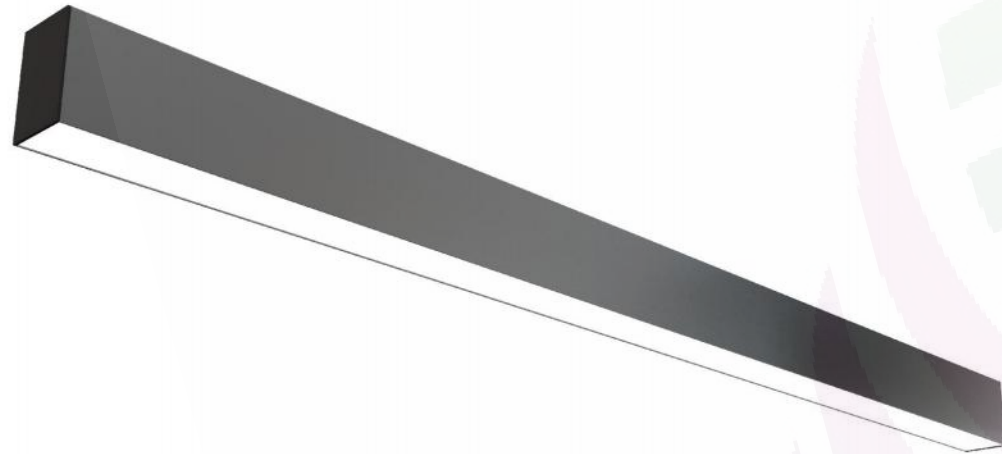
## SPECIFICATION

Model	Power	Luminous	Efficacy	CCT	Input Voltage	PF	Beam Angle
DB-OP15075-xx	20W	2000 lm	100 lm/w	3000K/4000K/5000K	AC180-264V /110-277V	>0.9	110°
DB-OP15075-xx	30W	3000 lm	100 lm/w	3000K/4000K/5000K	AC180-264V /110-277V	>0.9	110°
DB-OP15075-xx	40W	4000 lm	100 lm/w	3000K/4000K/5000K	AC180-264V /110-277V	>0.9	110°
DB-OP15075-xx	50W	5000 lm	100 lm/w	3000K/4000K/5000K	AC180-264V /110-277V	>0.9	110°
DB-OP15075-xx	60W	6000 lm	100 lm/w	3000K/4000K/5000K	AC180-264V /110-277V	>0.9	110°



Brighten your life

# LED LINEAR NORMAL SERIES



Colour:

- Sand black
- Sand white
- Wood grain
- Matte black
- Matte white
- Silver



# DIRECT LED LINEAR

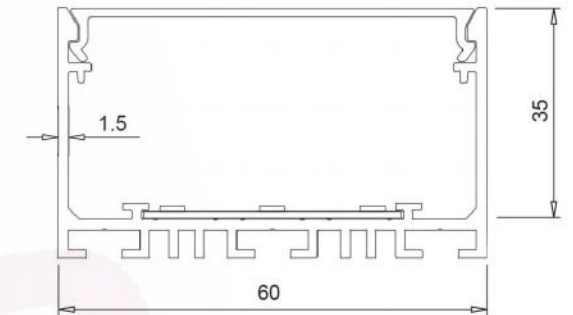


## FEATURES

- Up to 100 lm/w, CRI>80 or CRI>90.
- High-quality extrusion 1.5mm 6063 aluminum profile.
- No screw design with end cap.
- 0-10V/1-10V;Dali;Traic dimming are available.
- Emergency back up and sensor optional also available.
- Brand BOKE driver with 5 years warranty.

## DIMENSIONS

Length	Width	Height
4ft/47"/1200mm	2.36"/60mm	1.38"/35mm
5ft/59"/1500mm	2.36"/60mm	1.38"/35mm
6ft/71"/1800mm	2.36"/60mm	1.38"/35mm
8ft/94"/2400mm	2.36"/60mm	1.38"/35mm



## SPECIFICATION

Model	Power	Luminous	Efficacy	CCT	Input Voltage	PF	Beam Angle
DB-OP6035-xx	20W	2000 lm	100 lm/w	3000K/4000K/5000K	AC180-264V /110-277V	>0.9	110°
DB-OP6035-xx	30W	3000 lm	100 lm/w	3000K/4000K/5000K	AC180-264V /110-277V	>0.9	110°
DB-OP6035-xx	40W	4000 lm	100 lm/w	3000K/4000K/5000K	AC180-264V /110-277V	>0.9	110°
DB-OP6035-xx	50W	5000 lm	100 lm/w	3000K/4000K/5000K	AC180-264V /110-277V	>0.9	110°
DB-OP6035-xx	60W	6000 lm	100 lm/w	3000K/4000K/5000K	AC180-264V /110-277V	>0.9	110°



Brighten your life